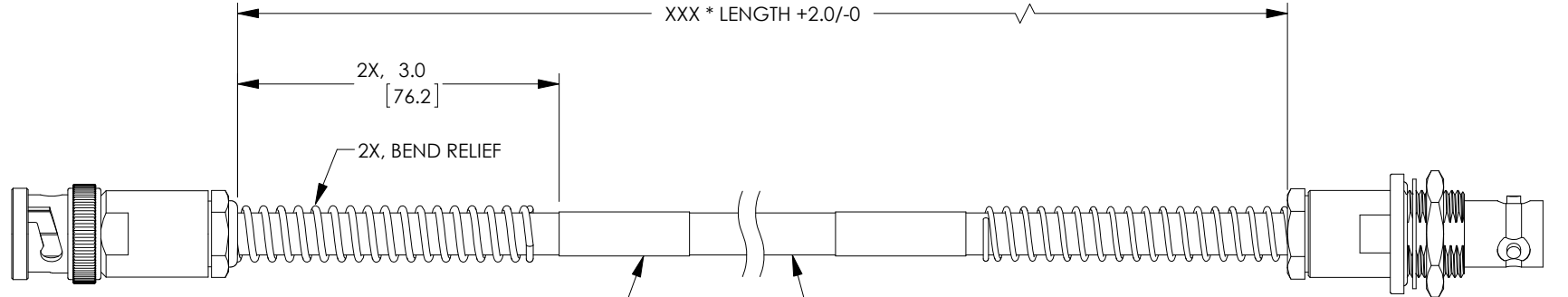


8 7 6 5 4 3 2 1

**PROPRIETARY NOTICE**  
 This document discloses confidential subject matter in which MilesTek Corporation and its subsidiaries have proprietary rights. Neither receipt nor possession thereof confers or transfers any right to reproduce or disclose the document, any part thereof, any information contained therein, or any physical article or device, or to practice any method or process, except by written permission from, or written agreement with MilesTek Corporation and its subsidiaries.

REV	REVISIONS		
	DESCRIPTION	DATE	APPROVED
A	INITIAL RELEASE	06/30/17	J.YOU
B	ECN 8899: REVISE NOTE 1 TO NOTE 2, DESCRIPTIONS, ADDED DETAIL	8/29/17	D.FRISIELLO

MSA00232-XXXX  
A

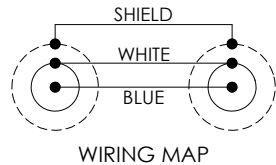


TRB 3-SLOT PLUG WITH BEND RELIEF

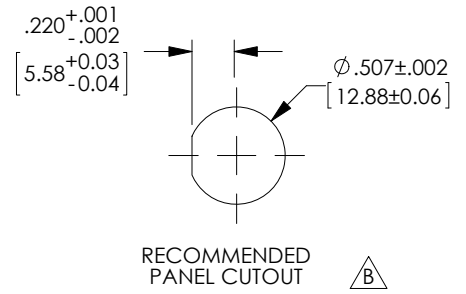
LABEL INFORMATION  
 MSA00232-XXXX  
 4Z977  
 DATE CODE  
 (SEE NOTE 2)

78 OHM TWINAX CABLE  
 JACKET: HALOGEN FREE POLYOLEFIN, BLUE  
 NOM. DIA: .242" [6.15]  
 OPER. TEMP: -30°C TO +80°C

TRB 3-LUG NON-INSULATED BULKHEAD JACK WITH BEND RELIEF



LENGTH CODE CHART		
CABLE # & LENGTH	LENGTH SYMBOL	EXAMPLES OF PART # USED
MSA00232-XXXX	WHERE XXX = LENGTH IN INCHES	MSA00232-12N (12.0 INCHES)



- NOTES:**
- \*XXX = LENGTH IN INCHES
  - CABLES 48" AND UNDER HAVE 1 LABEL CENTERED. CABLES OVER 48" HAVE 2 LABELS, ONE AT EACH END 3.0" FROM THE BACK OF THE CONNECTOR.
  - CABLE ASSEMBLY SHALL BE TESTED FOR CONTINUITY.

**NON CONTROLLED DRAWING IF PRINTED**

AS9100C CERTIFIED			CAD SYSTEM DRAWING - DO NOT REVISE MANUALLY			
			SIGNATURE	DATE	MilesTek®	MILESTEK CORPORATION 1506 INTERSTATE 35 WEST DENTON, TX 76207 PHONE: 866.524.1553 FAX: 940.591.7086
			DRAWN BY: J.YOU	06/30/17		
			CHECKED BY: M.HEARN	06/30/17	TITLE HF TWN PBR-NI BHJBR	DRAWING NUMBER: MSA00232-XXXX
			APPROVED ENGINEERING: M.HEARN	06/30/17		
			APPROVED MANUFACTURING:			
			CUSTOMER APPROVAL			
DASH	NEXT ASSY	USED ON	CUSTOMER REFERENCE DOCUMENT:		CAGE CODE: 42977	SCALE: NTS
APPLICATION						SHEET 1 OF 1

8 7 6 5 4 3 2 1