

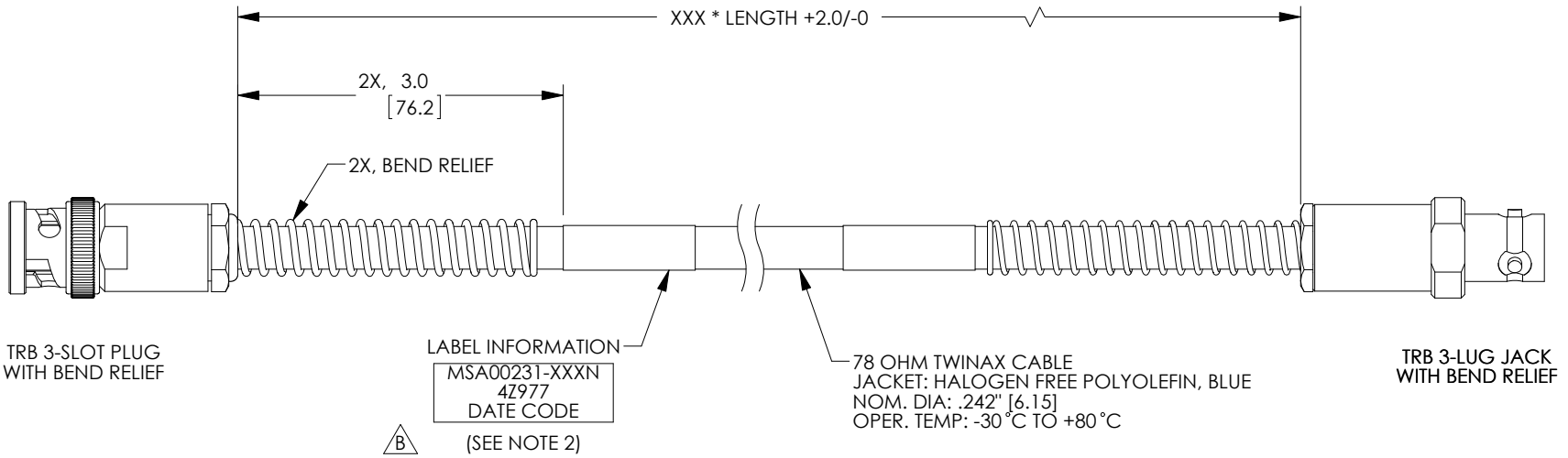
8 7 6 5 4 3 2 1

PROPRIETARY NOTICE

This document discloses confidential subject matter in which MilesTek Corporation and its subsidiaries have proprietary rights. Neither receipt nor possession thereof confers or transfers any right to reproduce or disclose the document, any part thereof, any information contained therein, or any physical article or device, or to practice any method or process, except by written permission from, or written agreement with MilesTek Corporation and its subsidiaries.

REV	REVISIONS		
	DESCRIPTION	DATE	APPROVED
A	INITIAL RELEASE	06/30/17	J.YOU
B	ECN 8899: REVISE DESCRIPTIONS, TITLE, NOTE 1 TO NOTE 2	8/29/17	D.FRISIELLO

MSA00231-XXXX  
A

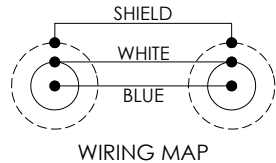


TRB 3-SLOT PLUG WITH BEND RELIEF

LABEL INFORMATION  
MSA00231-XXXX  
4Z977  
DATE CODE  
(SEE NOTE 2)

78 OHM TWINAX CABLE  
JACKET: HALOGEN FREE POLYOLEFIN, BLUE  
NOM. DIA: .242" [6.15]  
OPER. TEMP: -30 °C TO +80 °C

TRB 3-LUG JACK WITH BEND RELIEF



LENGTH CODE CHART		
CABLE # & LENGTH	LENGTH SYMBOL	EXAMPLES OF PART # USED
MSA00231-XXXX	WHERE XXX = LENGTH IN INCHES	MSA00231-12N (12.0 INCHES)

NON CONTROLLED DRAWING IF PRINTED

- NOTES:
- \*XXX = LENGTH IN INCHES
  - CABLES 48" AND UNDER HAVE 1 LABEL CENTERED. CABLES OVER 48" HAVE 2 LABELS, ONE AT EACH END 3.0" FROM THE BACK OF THE CONNECTOR.
  - CABLE ASSEMBLY SHALL BE TESTED FOR CONTINUITY.

AS9100C CERTIFIED			CAD SYSTEM DRAWING - DO NOT REVISE MANUALLY				
DASH	NEXT ASSY	USED ON	UNLESS OTHERWISE SPECIFIED ALL DIMENSIONS ARE IN INCHES	SIGNATURE	DATE		MILESTEK CORPORATION 1506 INTERSTATE 35 WEST DENTON, TX 76207 PHONE: 866.524.1553 FAX: 940.591.7086
			OVERALL CABLE LENGTH TOLERANCE: ≤12 [305] = +1 [25] / -0 >12 [305] ≤60 [1524] = +2 [51] / -0 >60 [1524] ≤120 [3048] = +4 [102] / -0 >120 [3048] ≤300 [7620] = +6 [152] / -0 >300 [7620] = +5% / -0%	DRAWN BY: J.YOU 06/30/17	CHECKED BY: M.HEARN 06/30/17		
			ALL OTHER DIMENSIONAL TOLERANCES: .X = ±.2 [5.08] .XX = ±.02 [5.1] .XXX = ±.005 [1.3]	APPROVED ENGINEERING: M.HEARN 06/30/17	APPROVED MANUFACTURING: 	CA HF TWNX PBR-CJBR	SIZE A
			CUSTOMER REFERENCE DOCUMENT:	CUSTOMER APPROVAL	CAGE CODE: 4Z977	DRAWING NUMBER: MSA00231-XXXX	
			APPLICATION			SCALE: NTS	SHEET 1 OF 1

8 7 6 5 4 3 2 1