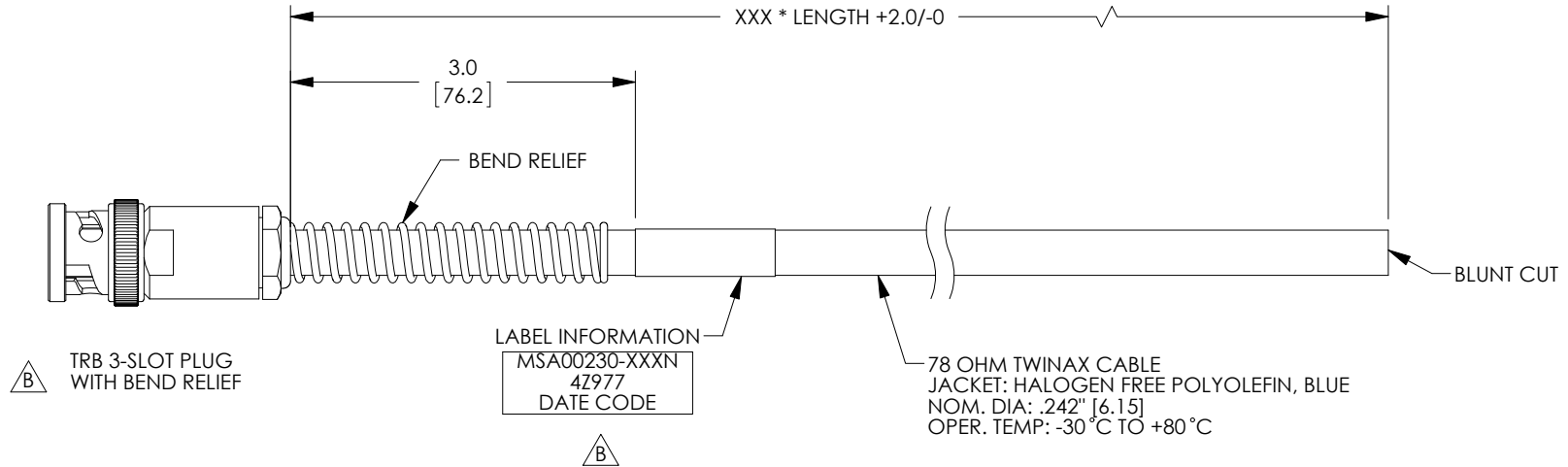


**PROPRIETARY NOTICE**  
 This document discloses confidential subject matter in which MilesTek Corporation and its subsidiaries have proprietary rights. Neither receipt nor possession thereof confers or transfers any right to reproduce or disclose the document, any part thereof, any information contained therein, or any physical article or device, or to practice any method or process, except by written permission from, or written agreement with MilesTek Corporation and its subsidiaries.

REV	REVISIONS		
	DESCRIPTION	DATE	APPROVED
A	INITIAL RELEASE	06/30/17	J.YOU
B	ECN 8899: REVISED TITLE, DESCRIPTION, DELETED NOTE 2	8/29/17	D.FRISIELLO



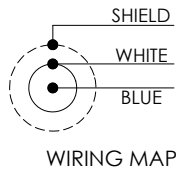
△ B TRB 3-SLOT PLUG WITH BEND RELIEF

LABEL INFORMATION  
 MSA00230-XXXX  
 4Z977  
 DATE CODE

△ B

78 OHM TWINAX CABLE  
 JACKET: HALOGEN FREE POLYOLEFIN, BLUE  
 NOM. DIA: .242" [6.15]  
 OPER. TEMP: -30°C TO +80°C

BLUNT CUT



WIRING MAP

LENGTH CODE CHART		
CABLE # & LENGTH	LENGTH SYMBOL	EXAMPLES OF PART # USED
MSA00230-XXXN	WHERE XXX = LENGTH IN INCHES	MSA00230-12N (12.0 INCHES)

**NON CONTROLLED DRAWING IF PRINTED**

△ B

△ B

- NOTES:**
- \*XXX = LENGTH IN INCHES
  - CABLE ASSEMBLY SHALL BE TESTED FOR CONTINUITY.

AS9100C CERTIFIED			CAD SYSTEM DRAWING - DO NOT REVISE MANUALLY			
			SIGNATURE	DATE	<b>MilesTek®</b>	MILESTEK CORPORATION 1506 INTERSTATE 35 WEST DENTON, TX 76207 PHONE: 866.524.1553 FAX: 940.591.7086
			DRAWN BY: J.YOU	06/30/17		
			CHECKED BY: M.HEARN	06/30/17	TITLE	CA HF TWNX PBR-BLNT
			APPROVED ENGINEERING: M.HEARN	06/30/17	SIZE <b>A</b>	
			APPROVED MANUFACTURING:		SCALE: NTS	SHEET 1 OF 1
DASH	NEXT ASSY	USED ON	CUSTOMER APPROVAL	CAGE CODE: 4Z977		
APPLICATION			CUSTOMER REFERENCE DOCUMENT:			