

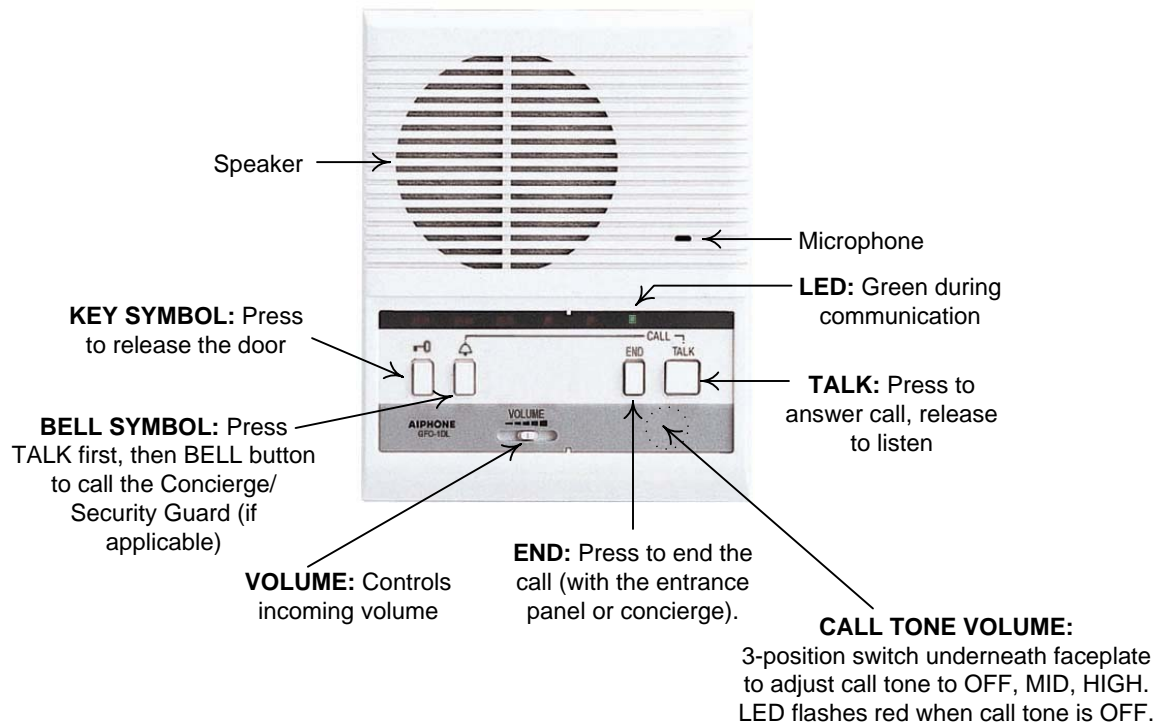
GFO-1DL / GFO-1DLF

Open Voice Tenant Station for the GF System

- INSTRUCTIONS -

The GFO-1DL and GFO-1DLF are open voice tenant stations for the GF system. The unit features door answering and door release with up to five entrance stations, Concierge call, and the connection of an optional panic call station (GFK-PS). A separate standard doorbell can be added to ring the unit with a unique tone. The unit includes TALK, DOOR RELEASE, and CONCIERGE CALL buttons. Each GFO-1DL counts as 2.5 handset stations on a standard GF system, therefore the maximum capacity of the system is 100 stations (see specifications).

NAMES & FUNCTIONS:

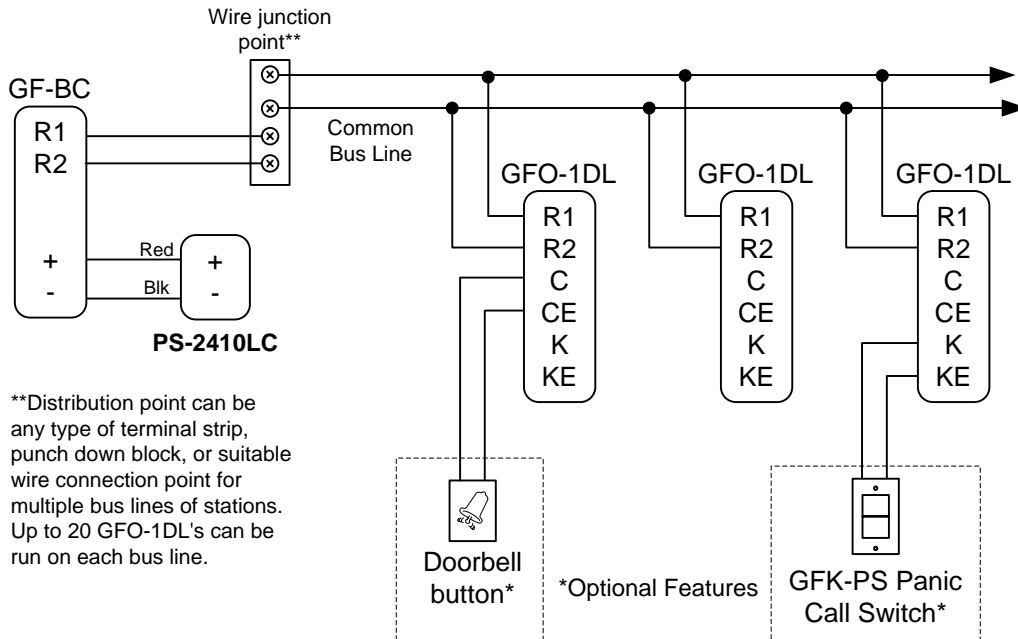


COMPATIBILITY:

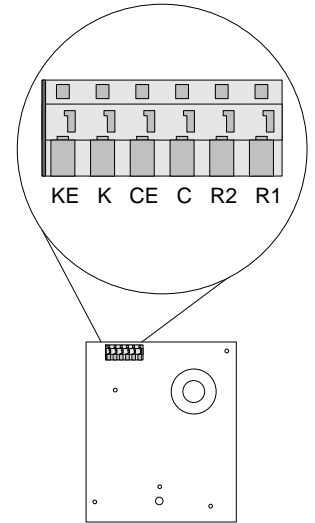
1. The GFO-1DL can be used in any GF system as an audio-only open voice room station. (No video if used in a video system.)
 - GF Audio entry with buttons
 - GF Audio entry with digital entrance panel
 - GF Video entry with buttons
 - GF Video entry with digital entrance panel
2. Station capacity of the GF system changes when using open voice tenant stations. Each GFO-1DL occupies the capacity of 2.5 handset or monitor stations, thus lowering the overall number of tenant stations allowed in a system.

WIRING DIAGRAM:

(Entrance panel(s) not shown)

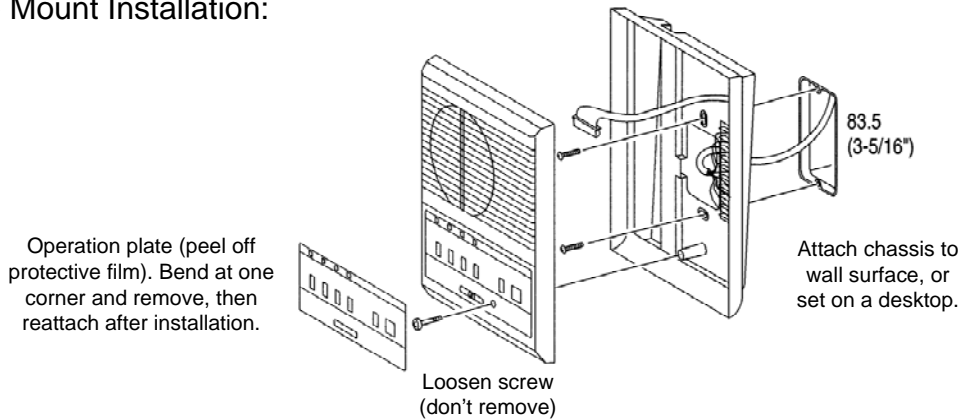


TERMINAL LOCATIONS:



MOUNTING:

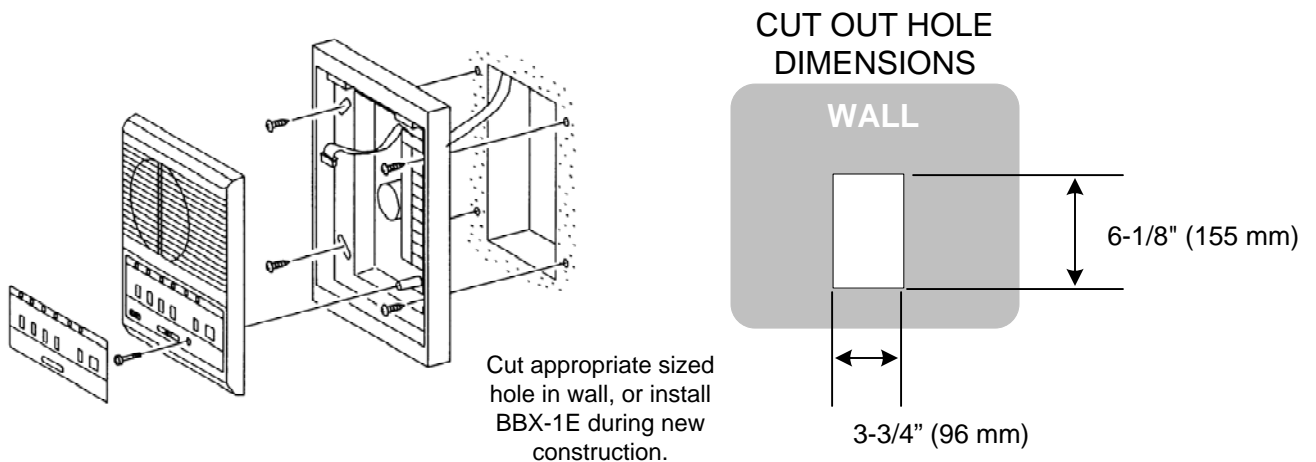
Surface Mount Installation:



NOTE:

The images above and below are for illustration purposes only.
The GFO-1DL(F) wire terminals are directly on the unit, not in the chassis itself.

Flush Mount Installation:

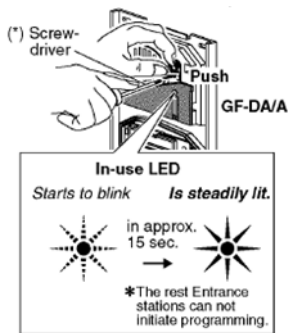


PROGRAMMING & OPERATION:

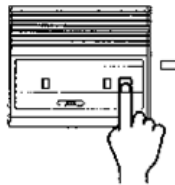
PROGRAMMING THE SYSTEM (INDIVIDUAL BUTTON PANEL):

1. Remove faceplate of GF entrance panel.
 2. Lift rubber cap located on the upper right side of the GF-DA/B speaker module.
 3. Using a long slender tool, momentarily press the programming button through the hole inside the GF-DA/B.
 4. The In-Use LED will blink for approximately 15 seconds, then will become steadily lit.
 5. With In-USE LED steadily lit, press the TALK button momentarily on the GFO-1DL you wish to program. (Only one station can be programmed at a time.) Communication will be present (push-to-talk, release-to-listen at unit).
 6. Momentarily press the call button in the GF-SW that is designated to call that tenant station. A single beep will be heard.
 7. Press END button on GFO-1DL. (This is like hanging up the handset on a standard GF-1DK model.)
 8. If the tenant has a second room station:
 - 8a. Press the second unit's TALK button momentarily. Communication will be present.
 - 8b. Press the same call button on the entrance panel. Two beeps will be heard.
 - 8c. Press END button.
- NOTE: If five beeps are heard when programming, that is an error indication. Clear the station by pressing and holding the call button on the panel until a continuous beep is heard. Then reprogram by momentarily pressing the call button again and releasing. A short single beep will be heard.
9. Repeat steps 5 through 8c to program each room station.
 10. When programming is completed, press programming switch in GF-DA/B again. In-Use LED will turn off.
 11. The system is now in regular operating mode.
 12. Secure the rubber cap and replace the front panel.
 13. Repeat the above programming process for each entrance panel in the system.

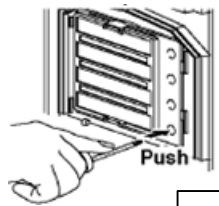
Put Entrance panel in program mode.



Press TALK button of station to be programmed.

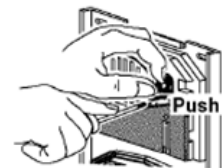


Press designated call button in GF-SW momentarily.



Press END button on GFO-1DL after it has been programmed.

Press program button in GF-DA/B again to return to normal operation mode.



Program each station in the system in the same manner.

PROGRAMMING DIGITAL ENTRANCE PANEL* TO CALL GFO-1DL ROOM STATIONS:

* NOTE: Program tenant's 3 or 4 digit number and name into the GF-NS/A first. Use computer program that comes with the GF-NS/A or enter manually, as shown in the GF-NS/A instructions.

- 1~5. Follow steps 1 through 5 as described above.
6. Scroll to tenant's name or number (or enter number with keypad) on entrance panel, then momentarily press BELL button (green-lit BELL symbol). A short beep will be heard.
7. Press END button on GFO-1DL. (This is like hanging up the handset on a standard GF-1DK model.)
 - 7a. Program second room station the same way, and two beeps will be heard.
8. Continue programming each station in the system in this manner.

Refer to GF-NS/A Instructions for more detail on programming the digital scroll module.

PROGRAMMING THE CONCIERGE STATION (GF-MK) TO CALL GFO-1DL ROOM STATIONS:

1. Put GF-MK into programming mode as described in GF-MK Instructions, page 2-3.
2. Lift handset on GF-MK first.
3. At tenant station to be programmed, press TALK button. Communication will be established.
4. Scroll to tenant's name or number (or enter number with keypad), then momentarily press BELL button (green-lit BELL symbol). A short beep will be heard.
5. Press END button on GFO-1DL. (This is like hanging up the handset on a standard GF-1DK model.)
 - 5a. Program second room station the same way, and two beeps will be heard.
6. Continue programming each room station in the same manner, then go out of programming mode to return to normal operation.

Refer to GF-MK Instructions for more detailed information on concierge programming.

OPERATION:

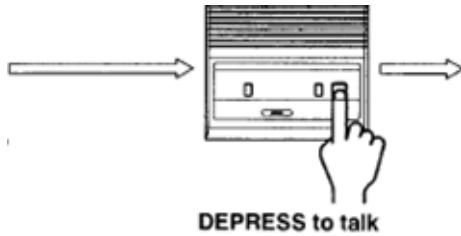
1. Press the tenant's call button on the entrance panel, and a ring tone will be heard at the tenant station.
 - 1a. If a digital entrance panel is used, enter the tenant's 3 or 4 digit code or scroll to their name, then press the green-lit "bell" button on the entrance panel.
2. Answer the call at the tenant station by pressing the TALK button. **NOTE: There is a brief delay when initially pressing TALK, so pause for approximately one second before speaking.**
3. Release TALK button to listen to the calling visitor. To speak to caller again, press TALK button. There is no delay on subsequent presses of the TALK button.
4. To activate the door release, momentarily press the KEY symbol button. This will activate the door release mechanism at the calling entrance panel. The duration of the release is determined by the door release timer setting on the back of the GF-DA/B audio module.
5. To end the conversation, press END button. If END is not pressed, the communication path will automatically time out after approximately 2-1/2 minutes.

NOTE: If the END button was not pressed at the end of the previous call, it must be pressed first before pressing the TALK button to answer a new incoming call.

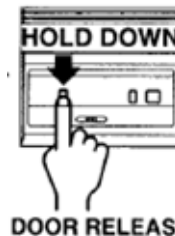
Call from Entrance panel or Concierge Station



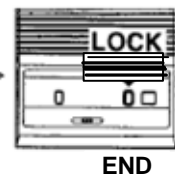
Answer the call at the tenant station by pressing TALK button to talk, release to listen.



Press "key" symbol button to release the door.



Press END button to conclude the call.



Note: Above graphics are not an exact replication of the GFO-1DL, but are for illustration purposes only.

TROUBLESHOOTING GUIDE:

PROBLEM	POSSIBLE CAUSE	SOLUTION
Audio works in programming mode, but after programmed, can't call or communicate with room station.	Holding call button down too long when programming.	When in program mode, press and release call button quickly. Do not hold button down too long, which actually clears the programming for that station. When programming with digital panel, dial number, then press and release green "bell" button.
When programming the first station in an apartment, 2 beeps are heard instead of 1 beep (Two beeps should be heard only when programming 2nd unit in each apartment)	Another station has been programmed on that channel and the 2 beeps indicate a 2nd station programmed on the same call button.	Press and hold call button until solid beep is heard at entrance while in programming mode to clear the memory. Press again once and release. If 1 short beep is heard, programming is correct. If 5 short beeps are heard, clear again and reprogram.
When programming, 5 beep tones in rapid succession are heard instead of the normal single- or double-beep tones.	Programming done improperly, or wiring is not correct.	Clear the programming by pressing the call button and holding it until you hear a solid tone, then reprogram. If that does not work, double check wire connections.
No communication at GFO-1DL in program mode, even with TALK button pressed.	END button not pressed on another station in the system	Make sure that the END button is pressed on each station after it's been programmed. Only the station being programmed should be in the communication mode with the entrance station. Go to each station in the system and make sure END button is pressed.
LED on GF-DA at entry panel does not light, panel emits high-pitched squeal. Program button does not work.	Panel identification DIP switches set improperly.	If more than one entrance station is set to the same identification number (1 - 5) the program button will not work. The LED will not light and entrance panel will emit a high pitched whistle.
In program mode, system will not give the acknowledgement beep or the clear tone when holding down the button.	Wire changes made with power applied, or ground fault.	Cycle system power to any / all bus controllers present (GF-BC, GF-VBC, etc).
Can't establish communication in program mode between GF-MK and GFO-1DL.	Not following proper sequence.	After entering program mode on GF-MK, handset on that unit must be picked up first before pressing TALK button on GFO-1DL. If no communication, press END button on GFO-1DL, then pick up GF-MK handset. Then press TALK button on room station and communication should be established.

SPECIFICATIONS:

System Capacity:	Max. 100 units in a system with all GFO-1DL's. Each GFO-1DL takes the capacity of 2.5 standard GF-1DK handset models.. If intermixing, multiply each GFO-1DL in the system (including 2nd tenant stations also) by 2.5, then add the number of handsets included. Total number must not exceed 250.
Communication:	Push-to-talk, release-to-listen at tenant station. Press END to conclude call (like hanging up handset) Hands free from entrance panel to tenant
Calling:	Electronic ring tone from entrance panel to tenant station Differentiated ring tone from individual doorbell
Wiring:	2-conductor common bus wire throughout system. Max. 20 units on each trunk line. Run additional independent 2-cond. wire from each unit's doorbell button to unit (if included), and 2 cond. from GFK-PS panic switch to GFO-1DL.
Wiring Distance:	GF-BC to farthest GFO-1DL: 980' with 20AWG Total cumulative wire distance must not exceed 1.5 miles (8,200') with 20AWG
Wire:	Use Aiphone wire # 872002. Additional year warranty on the system with Aiphone wire.
Dimensions:	7-1/8" H x 5-5/8" W x 2-1/8" D (GFO-1DL) 8-1/8" H x 6-1/8" W x 1-3/8" D (GFO-1DLF)

FCC Class B Verification

NOTE: This equipment has been tested and found to comply with the limits for a Class B digital device , pursuant to Part 15 of the FCC Rules. These limits are designed to provide reasonable protection against harmful interference in a residential installation. This equipment generates, uses, and can radiate radio frequency energy and, if not installed and used in accordance with the instructions, may cause harmful interference to radio communications. However, there is no guarantee that interference will not occur in a particular installation. If this equipment does cause harmful interference to radio or television reception, which can be determined by turning the equipment off and on, the user is encouraged to try and correct the interference by one or more of the following measures:

- Reorient or locate the receiving antenna.
- Increase the separation between the equipment and receiver.
- Connect the equipment into an outlet on a circuit different from that to which the receiver is connected.
- Consult the dealer or an experienced radio/TV technician for help.

NOTE:

Only information pertaining to the GFO-1DL is included here. For complete installation, wiring, programming and operational information, please refer to the GF Installation Manual, GF-MK and GF-NS/A manuals.

Aiphone Communication Systems
1700 130th Ave. N.E.
Bellevue, WA 98005
(425) 455-0510
FAX (425) 455-0071

Toll Free Technical Support:
1-800-692-0200
FAX 1-800-832-3765

Pg. 5
GFO-1DL(F) Instr.
1105PHJS