

8

7

6

5

4

3

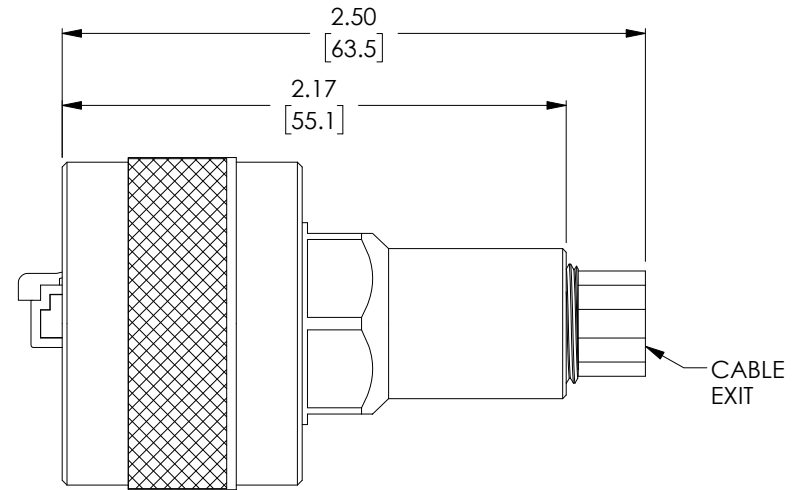
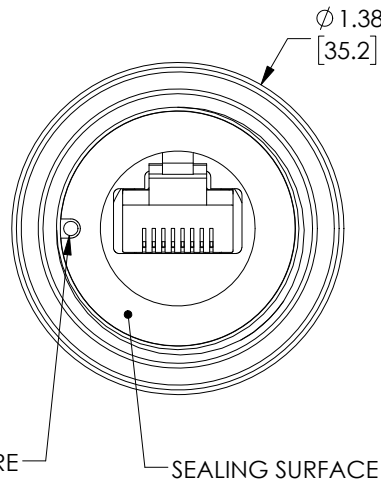
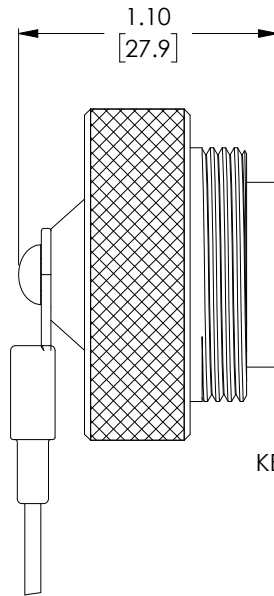
2

1

PROPRIETARY NOTICE

This document discloses confidential subject matter in which MilesTek Corporation and its subsidiaries have proprietary rights. Neither receipt nor possession thereof confers or transfers any right to reproduce or disclose the document, any part thereof, any information contained therein, or any physical article or device, or to practice any method or process, except by written permission from, or written agreement with MilesTek Corporation and its subsidiaries.

REV	REVISIONS		DATE	APPROVED
	DESCRIPTION			
A	REV A DRAWING RELEASED		06/25/2018	BPUCHASKI

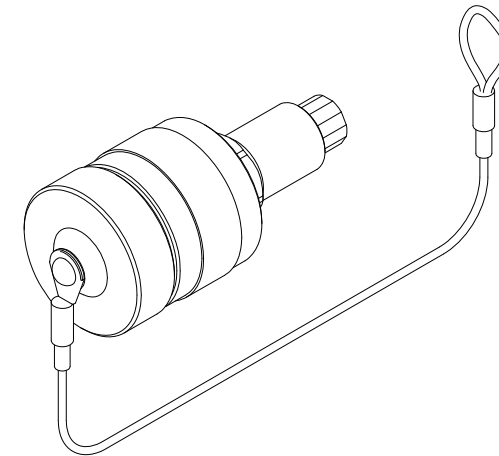


SUPPLIED RJ45 PLUG  
SUITABLE FOR SOLID OR  
STRANDED CONNECTORS  
OF .037-.042"


NOTES:

1. CABLE RANGE: .271" / .330"
2. ASSEMBLED OVERALL LENGTH IS APPROX. 3.3"
3. MATERIALS AND FINISH:  
EXTERNAL PARTS: ALUMINUM, ANODIZED (BLACK)  
INTERNAL PARTS: ALUMINUM  
MISCELLANEOUS HARDWARE: STAINLESS STEEL  
SEAL: SILICONE  
LANYARD: STAINLESS STEEL (NYLON COAT)
4. LANYARD LENGTH: APPROXIMATELY 6.0"
5. RATED IP-68 WHEN MATED OR CAPPED PROPERLY.  
PERFORMANCE MEETS OR EXCEEDS CATEGORY 6 ANSI/EIA 568-C.
6. ALL DIMENSIONS ARE FOR REFERENCE ONLY.
7. COMPONENT SHALL BE INDIVIDUALLY PACKAGED IN ACCORDANCE WITH MILESTEK SPECIFICATION PS-0054. SHIPS UNASSEMBLED.

**REGULATORY COMPLIANCE:**  
CE2011/65/EU(RoHS DIRECTIVE)



**NON CONTROLLED DRAWING IF PRINTED**

CAD SYSTEM DRAWING - DO NOT REVISE MANUALLY					
UNLESS OTHERWISE SPECIFIED ALL DIMENSIONS ARE IN INCHES			SIGNATURE	DATE	 <small>MILESTEK CORPORATION 301 LEORA LANE, SUITE 100 LEWISVILLE, TX 75056 PHONE: (940) 484-9400 FAX: (940) 566-1047</small>
OVERALL CABLE LENGTH TOLERANCE: ≤12 [305] = +1 [25] / -0 >12 [305] ≤60 [1524] = +2 [51] / -0 >60 [1524] ≤120 [3048] = +4 [102] / -0 >120 [3048] ≤300 [7620] = +6 [152] / -0 >300 [7620] = +5% / -0%			<small>DRAWN BY:</small> BPUCHASKI <small>CHECKED BY:</small> DGUITADAURO <small>APPROVED ENGINEERING:</small> D.GUITADAURO <small>APPROVED MANUFACTURING:</small> <small>CUSTOMER APPROVAL:</small>	<small>DATE:</small> 06/25/2018 <small>DATE:</small> 06/25/2018 <small>DATE:</small> 06/25/18	
ALL OTHER DIMENSIONAL TOLERANCES: .X = ±.2 [5.08] .XX = ±.02 [1.51] .XXX = ±.005 [1.31]			TITLE		C6 PLUG ANOD .271-330 DCAP  <small>SCALE: NTS</small>
CUSTOMER REFERENCE DOCUMENT:			DRAWING NUMBER:		
DASH	NEXT ASSY	USED ON	CAGE CODE: 42977		T6B00008
APPLICATION			SHEET 1 OF 1		

8

7

6

5

4

3

2

1