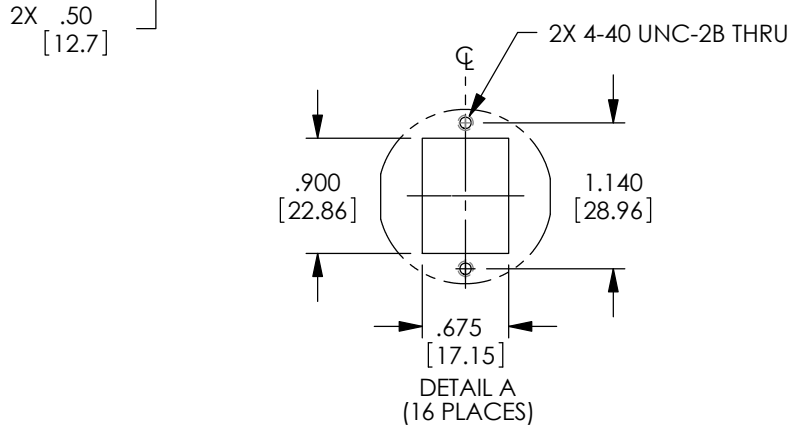
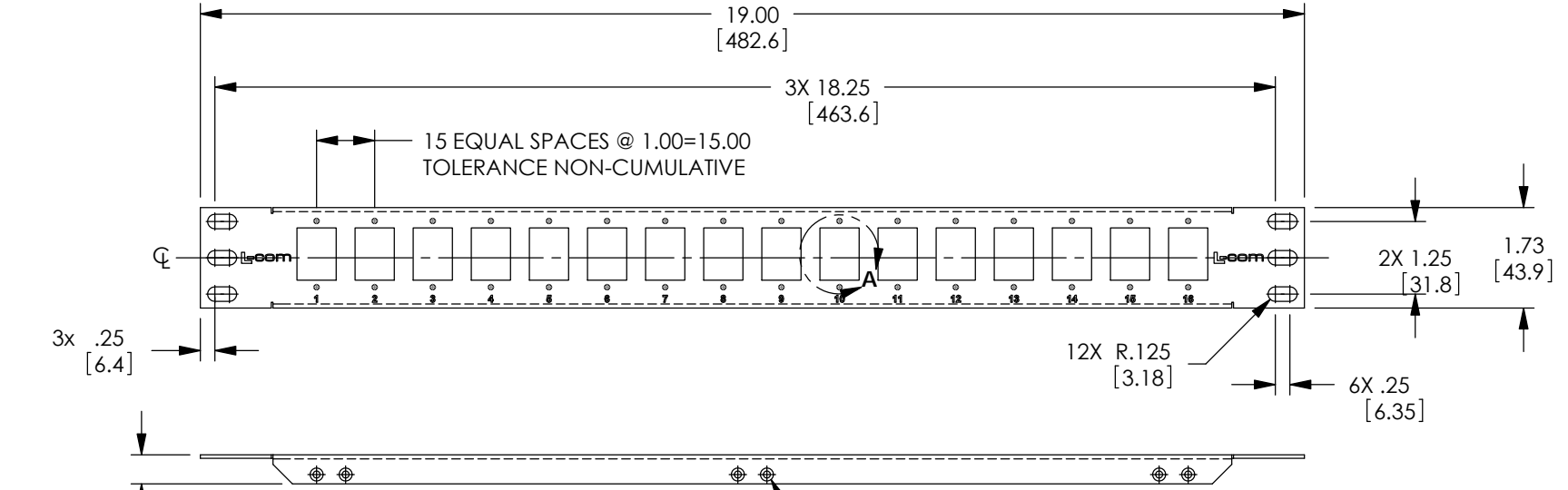


PROPRIETARY NOTICE

This document discloses confidential subject matter in which MilesTek Corporation and its subsidiaries have proprietary rights. Neither receipt nor possession thereof confers or transfers any right to reproduce or disclose the document, any part thereof, any information contained therein, or any physical article or device, or to practice any method or process, except by written permission from, or written agreement with MilesTek Corporation and its subsidiaries.

REV	DESCRIPTION	DATE	APPROVED
A	INITIAL RELEASE	2/25/17	D.FRISIELLO



NON CONTROLLED DRAWING IF PRINTED

- NOTES:
1. PANEL MATERIAL: .06" THICK COLD ROLLED STEEL.
 2. PANEL FINISH COLOR: FLAT BLACK POWDER COAT.
 3. TEXT COLOR: WHITE
 4. PACKAGE PANEL IN ACCORDANCE WITH SPECIFICATION PS-0054.
- REGULATORY COMPLIANCE:**
 CE2011/65/EU(RoHS DIRECTIVE)

AS9100C CERTIFIED			CAD SYSTEM DRAWING - DO NOT REVISE MANUALLY			
UNLESS OTHERWISE SPECIFIED ALL DIMENSIONS ARE IN INCHES			SIGNATURE	DATE	MilesTek	
OVERALL CABLE LENGTH TOLERANCE: ≤12 [305] = +1 [25] / -0 >12 [305] ≤60 [1524] = +2 [51] / -0 >60 [1524] ≤120 [3048] = +4 [102] / -0 >120 [3048] ≤300 [7620] = +6 [152] / -0 >300 [7620] = +5% / -0%			DRAWN BY: D.FRISIELLO	2/25/17	MILESTEK CORPORATION 1506 INTERSTATE 35 WEST DENTON, TX 76207 PHONE: 866.524.1553 FAX: 940.591.7086	
ALL OTHER DIMENSIONAL TOLERANCES: .X = ±.2 [5.08] .XX = ±.02 [1.51] .XXX = ±.005 [1.3]			CHECKED BY: M.MARTINEZ	2/25/17	TITLE 1.75"X19"PNL 16 ECF504B SPACES	
CUSTOMER REFERENCE DOCUMENT:			APPROVED ENGINEERING: M.MARTINEZ	2/25/17	DRAWING NUMBER: REF00126	
APPLICATION			CUSTOMER APPROVAL	SCALE: NTS		SHEET 1 OF 1
DASH	NEXT ASSY	USED ON	CAGE CODE: 42977			