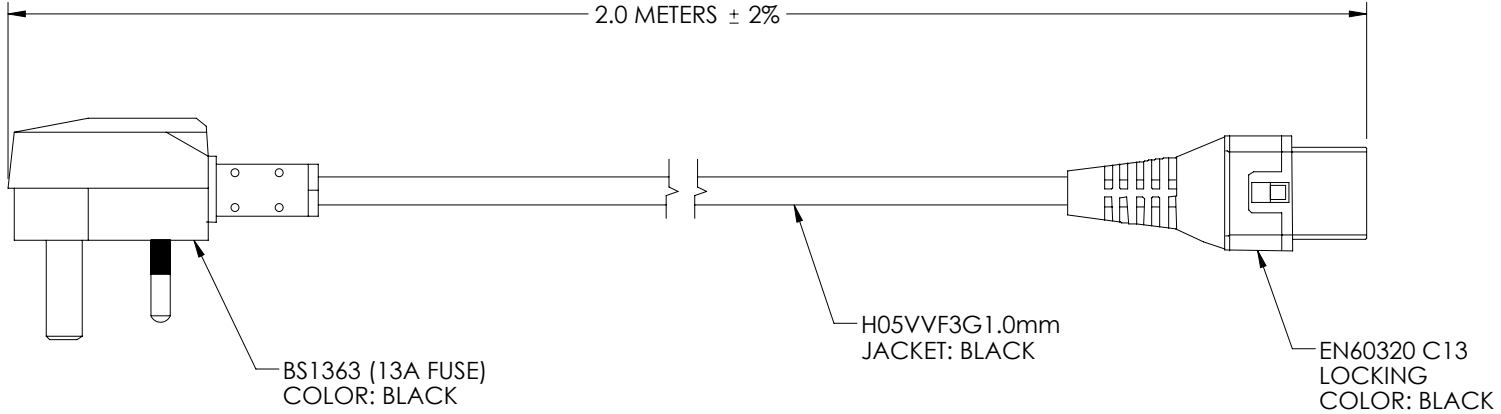


8 7 6 5 4 3 2 1

PROPRIETARY NOTICE

This document discloses confidential subject matter in which MilesTek Corporation and its subsidiaries have proprietary rights. Neither receipt nor possession thereof confers or transfers any right to reproduce or disclose the document, any part thereof, any information contained therein, or any physical article or device, or to practice any method or process, except by written permission from, or written agreement with MilesTek Corporation and its subsidiaries.

REV	REVISIONS		
	DESCRIPTION	DATE	APPROVED
A	INITIAL RELEASE	5/18/17	D.FRISIELLO



NOTES:

1. APPROVALS: BSI.
2. RATING: 10A/250V.
3. COLOR CODING: BLUE, BROWN, GREEN/YELLOW.
4. POWER CORD TO BE INDIVIDUALLY PACKAGED IN ACCORDANCE WITH SPECIFICATION PS-0054 IN A CLEAR BAG AND LABELED AS FOLLOWS:

P/N: REF00063



REGULATORY COMPLIANCE:
CE2011/65/EU(RoHS DIRECTIVE)

NON CONTROLLED DRAWING IF PRINTED

AS9100C CERTIFIED			CAD SYSTEM DRAWING - DO NOT REVISE MANUALLY			
UNLESS OTHERWISE SPECIFIED ALL DIMENSIONS ARE IN INCHES			SIGNATURE	DATE	 <small>MILESTEK CORPORATION 1506 INTERSTATE 35 WEST DENTON, TX 76207 PHONE: 866.524.1553 FAX: 940.591.7086</small>	
OVERALL CABLE LENGTH TOLERANCE: ≤12 [305] = +1 [25] / -0 >12 [305] ≤60 [1524] = +2 [51] / -0 >60 [1524] ≤120 [3048] = +4 [102] / -0 >120 [3048] ≤300 [7620] = +6 [152] / -0 >300 [7620] = +5% / -0%			DRAWN BY: D.FRISIELLO	5/18/17		
ALL OTHER DIMENSIONAL TOLERANCES: .X = ±.2 [5.08] .XX = ±.02 [1.51] .XXX = ±.005 [1.27]			CHECKED BY: D. FRISIELLO	5/18/17	SIZE A	
DASH NEXT ASSY USED ON APPLICATION			APPROVED ENGINEERING: M.MARTINEZ	5/18/17		DRAWING NUMBER: REF00063
CUSTOMER REFERENCE DOCUMENT:			APPROVED MANUFACTURING:	CUSTOMER APPROVAL	SCALE: NTS	
CAGE CODE: 42977			SHEET 1 OF 1			

8 7 6 5 4 3 2 1