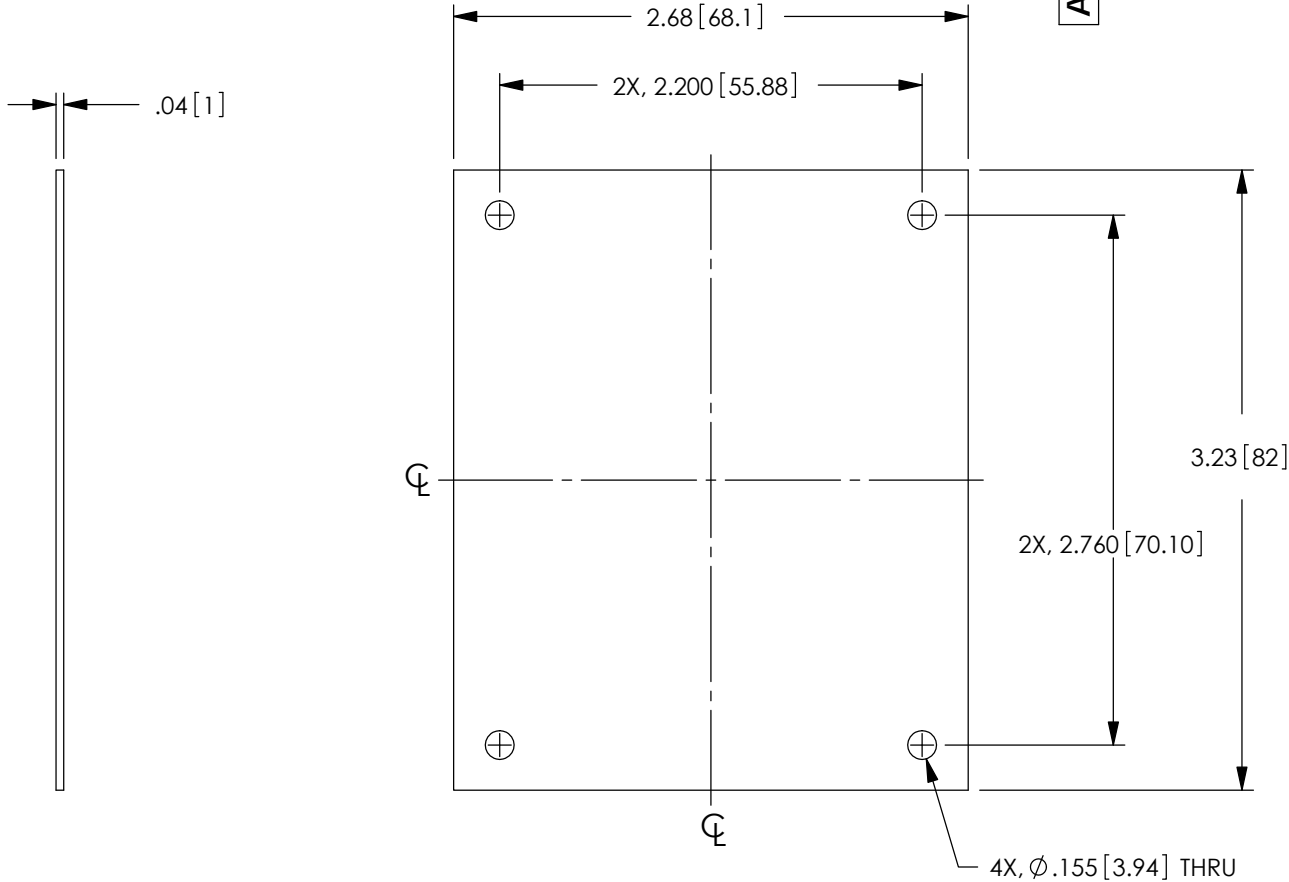


PROPRIETARY NOTICE

This document discloses confidential subject matter in which MilesTek Corporation and its subsidiaries have proprietary rights. Neither receipt nor possession thereof confers or transfers any right to reproduce or disclose the document, any part thereof, any information contained therein, or any physical article or device, or to practice any method or process, except by written permission from, or written agreement with MilesTek Corporation and its subsidiaries.

REVISIONS			
REV	DESCRIPTION	DATE	APPROVED
A	INITIAL RELEASE	6/1/17	D.FRISIELLO



NOTES:

1. MATERIAL: .04 [1.0] THK ALUMINUM.
2. FINISH: BLACK ANODIZED.
3. KIT CONTAINS 4X, #6-32 UNC-2A X 5/16 LG PAN HEAD SCREWS, AND 4X, #6-32 UNC-2B EXTERNAL STAR LOCK NUTS IN A SMALL POLY BAG.
4. COMPONENT SHALL BE INDIVIDUALLY PACKAGED IN ACCORDANCE WITH SPECIFICATION PS-0054.
5. ALL DIMENSIONS SHOWN ARE FOR REFERENCE ONLY.

REGULATORY COMPLIANCE:
CE2011/65/EU(RoHS DIRECTIVE)

NON CONTROLLED DRAWING IF PRINTED

AS9100C CERTIFIED			CAD SYSTEM DRAWING - DO NOT REVISE MANUALLY				
UNLESS OTHERWISE SPECIFIED ALL DIMENSIONS ARE IN INCHES OVERALL CABLE LENGTH TOLERANCE: ≤12 [305] = +1 [25] / -0 >12 [305] ≤60 [1524] = +2 [51] / -0 >60 [1524] ≤120 [3048] = +4 [102] / -0 >120 [3048] ≤300 [7620] = +6 [152] / -0 >300 [7620] = +5% / -0% ALL OTHER DIMENSIONAL TOLERANCES: .X = ±.2 [5.08] .XX = ±.02 [5.1] .XXX = ±.005 [1.3]			SIGNATURE	DATE	MILESTEK CORPORATION 1506 INTERSTATE 35 WEST DENTON, TX 76207 PHONE: 866.524.1553 FAX: 940.591.7086		
			DRAWN BY: D.FRISIELLO	6/1/17			
			CHECKED BY: M.MARTINEZ	6/1/17	TITLE USP SUB-PNL BLNK ,ALUMINUM BLK		
			APPROVED ENGINEERING: M.MARTINEZ	6/1/17			
APPROVED MANUFACTURING:			CUSTOMER APPROVAL		SIZE A	DRAWING NUMBER: REF00048	
DASH NEXT ASSY USED ON			CUSTOMER REFERENCE DOCUMENT:		CAGE CODE: 42977	SCALE: NTS	SHEET 1 OF 1
APPLICATION							