

PROPRIETARY NOTICE

This document discloses confidential subject matter in which MilesTek Corporation and its subsidiaries have proprietary rights. Neither receipt nor possession thereof confers or transfers any right to reproduce or disclose the document, any part thereof, any information contained therein, or any physical article or device, or to practice any method or process, except by written permission from, or written agreement with MilesTek Corporation and its subsidiaries.

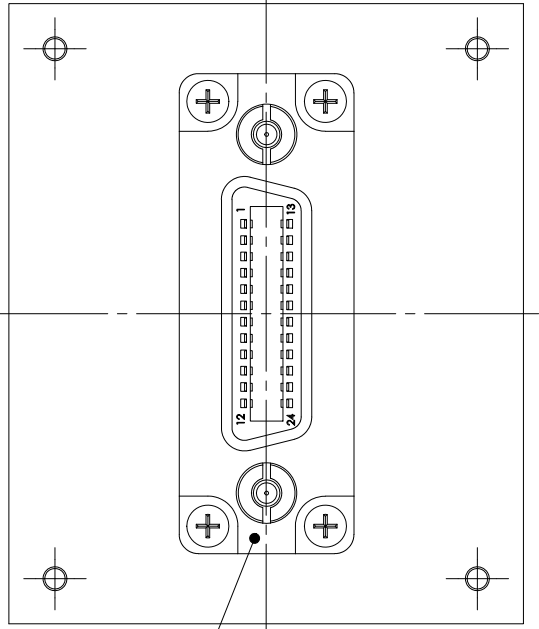
REV	REVISIONS		DATE	APPROVED
	DESCRIPTION			
A	INITIAL RELEASE		5/30/17	D.FRISIELLO

D

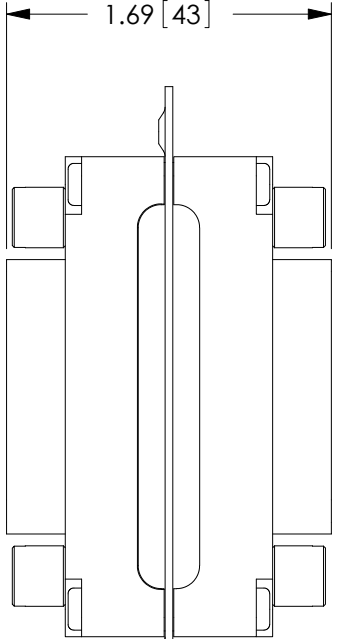
C

B

A

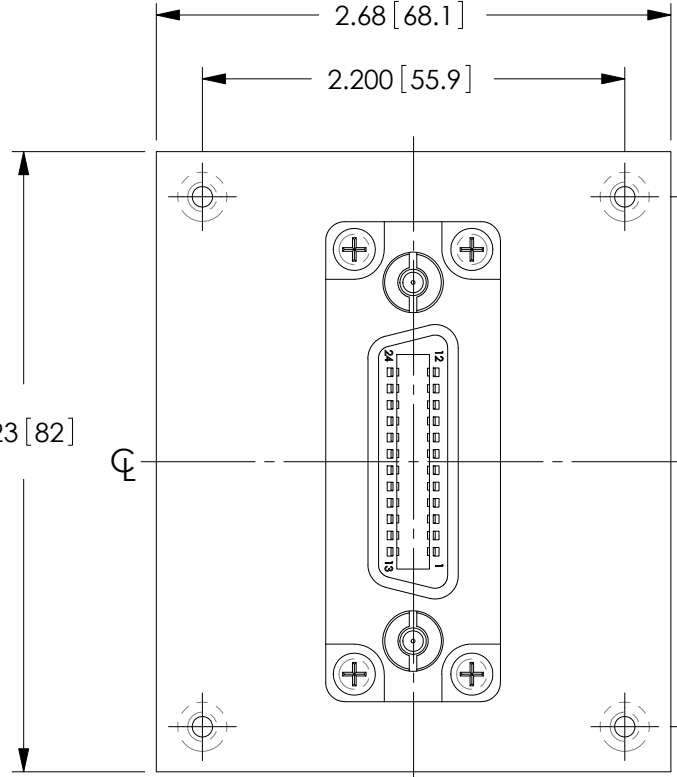


IEEE-488 F/F
CONNECTOR
REVERSE ENTRY



.04 [1]

3.23 [82]



2X,
2.760 [70.1]

NON CONTROLLED DRAWING IF PRINTED

- NOTES:
1. PANEL MATERIAL: .04 [1.0] THK COLD ROLLED STEEL.
 2. PANEL FINISH: FLAT BLACK POWDER COAT.
 3. KIT CONTAINS 4, #6-32 UNC SCREWS.
 4. ASSEMBLY SHALL BE INDIVIDUALLY PACKAGED IN ACCORDANCE WITH SPECIFICATION PS-0054.

REGULATORY COMPLIANCE:
CE2011/65/EU(ROHS DIRECTIVE)

AS9100C CERTIFIED			CAD SYSTEM DRAWING - DO NOT REVISE MANUALLY			
			UNLESS OTHERWISE SPECIFIED ALL DIMENSIONS ARE IN INCHES	SIGNATURE	DATE	 MILESTEK CORPORATION 1506 INTERSTATE 35 WEST DENTON, TX 76207 PHONE: 866.524.1553 FAX: 940.591.7086
			OVERALL CABLE LENGTH TOLERANCE: ≤12 [305] = +1 [25] / -0 >12 [305] ≤60 [1524] = +2 [51] / -0 >60 [1524] ≤120 [3048] = +4 [102] / -0 >120 [3048] ≤300 [7620] = +6 [152] / -0 >300 [7620] = +5% / -0%	D.FRISIELLO	5/30/17	
			ALL OTHER DIMENSIONAL TOLERANCES: .X = ±.2 [5.08] .XX = ±.02 [51] .XXX = ±.005 [13]	CHECKED BY:		TITLE USP SUB PANEL, IEEE-488 BULKHEAD COUPLER, REVERSE ENTRY
			CUSTOMER REFERENCE DOCUMENT:	M.MARTINEZ	5/30/17	
DASH	NEXT ASSY	USED ON		APPROVED ENGINEERING:		SIZE
				APPROVED MANUFACTURING:		A
APPLICATION				CUSTOMER APPROVAL		DRAWING NUMBER:
						REF00004
				CAGE CODE: 42977		SCALE: NTS
						SHEET 1 OF 1

8 7 6 5 4 3 2 1