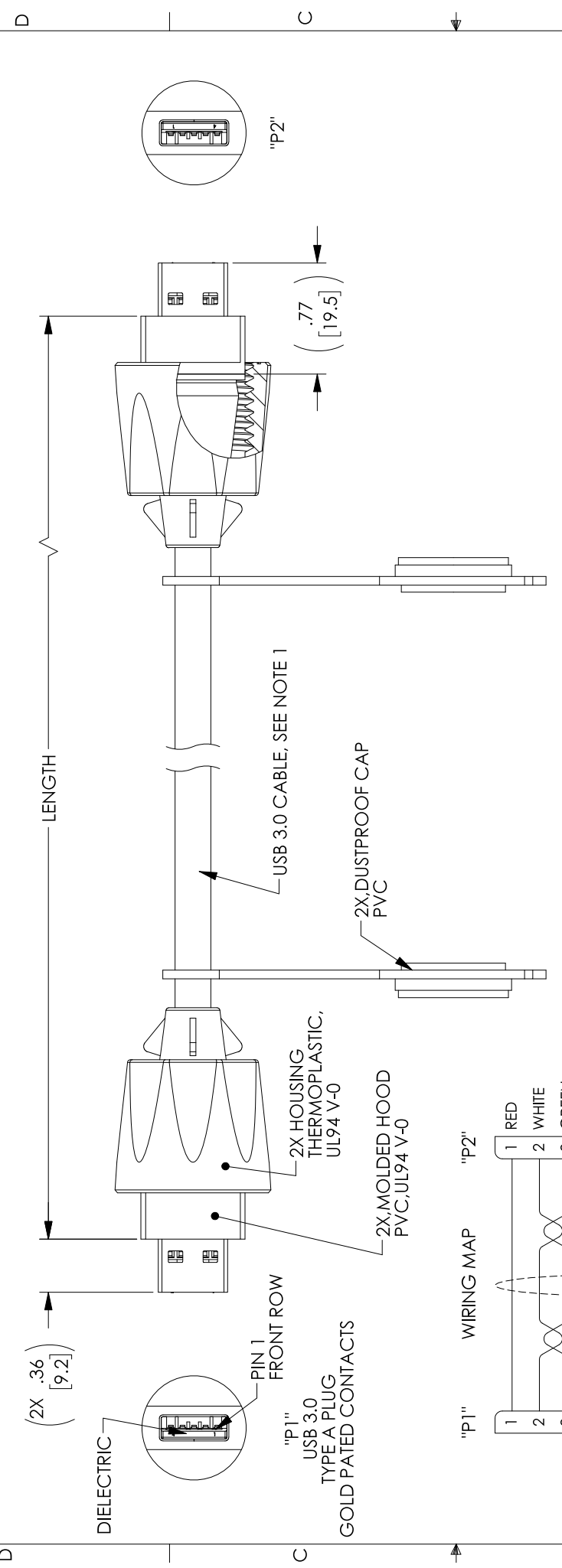
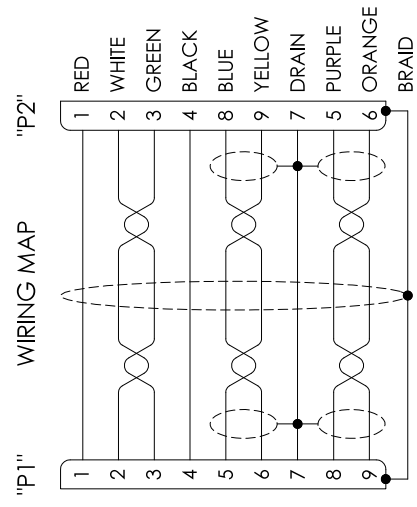


REV	DESCRIPTION	DATE	APPROVED
A	REV A DRAWING RELEASED	05/16/18	B.PUCHASKI

REV	DESCRIPTION	DATE	APPROVED
A	REV A DRAWING RELEASED	05/16/18	B.PUCHASKI



MODEL NUMBER	LENGTH		TOLERANCE mm [INCHES]	CABLE O.D. NOM. DIA. mm [IN.]
	METERS	FEET		
MUS3A00041-1M	1.0	3.28	50.0 [1.97]	5.5 [.216]
MUS3A00041-2M	2.0	6.56	50.0 [1.97]	5.5 [.216]
MUS3A00041-3M	3.0	9.84	80.0 [3.15]	6.2 [.244]



## NON CONTROLLED DRAWING IF PRINTED

CAD SYSTEM DRAWING - DO NOT REVISE MANUALLY			
UNLESS OTHERWISE SPECIFIED ALL DIMENSIONS ARE IN INCHES OVERALL CABLE LENGTH TOLERANCE: >12 (305) 560 (1424) = +.01 / -0 >120 (3048) 5320 (13620) = +.01 / -0 >300 (7620) = +.03 / -0% ALL OTHER DIMENSIONAL TOLERANCES: X = ± .0100 Y = ± .0100 Z = ± .0100 XXX = ± .003 [0.3]	SIGNATURE	DATE	MILESTEK CORPORATION 301 BROADWAY, SUITE 100 ROCKVILLE, MD 20850 PHONE: (940) 484-4400 FAX: (940) 564-1047
	DRAWN BY: B.PUCHASKI	05/09/18	
	CHECKED BY: J.JAROVY	05/09/18	
	APPROVED BY: B.GATES	05/09/18	
CUSTOMER REFERENCE DOCUMENT:		TITLE	
APPLICATION		Industrial USB 3.0 A/A	
DASH	NEXT ASSY	USED ON	SEE
			DRAWING NUMBER:
			MUS3A00041
CAGE CODE: 42977			SCALE: NTS
			SHEET 1 OF 1

- NOTES:**
- CABLE SPEC: UL2276, OD5.5MM, OUT JACKET: PVC UL2225, OD6.2MM, OUT JACKET: PVC
  - INGRESS PROTECTION RATING IS IP67 (MATED, IEC60529:2001-02)
  - OPERATING TEMPERATURE RANGE: -24°C ~ +85°C
  - CABLE ASSEMBLY SHALL BE TESTED FOR CONTINUITY.
  - CABLE ASSEMBLY SHALL BE INDIVIDUALLY PACKAGED IN ACCORDANCE WITH MILESTEK SPECIFICATION PS-0054.
- REGULATORY COMPLIANCE:**  
CE2011/65/EU (ROHS DIRECTIVE)