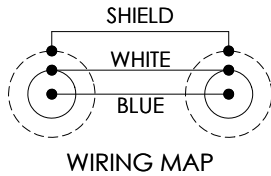
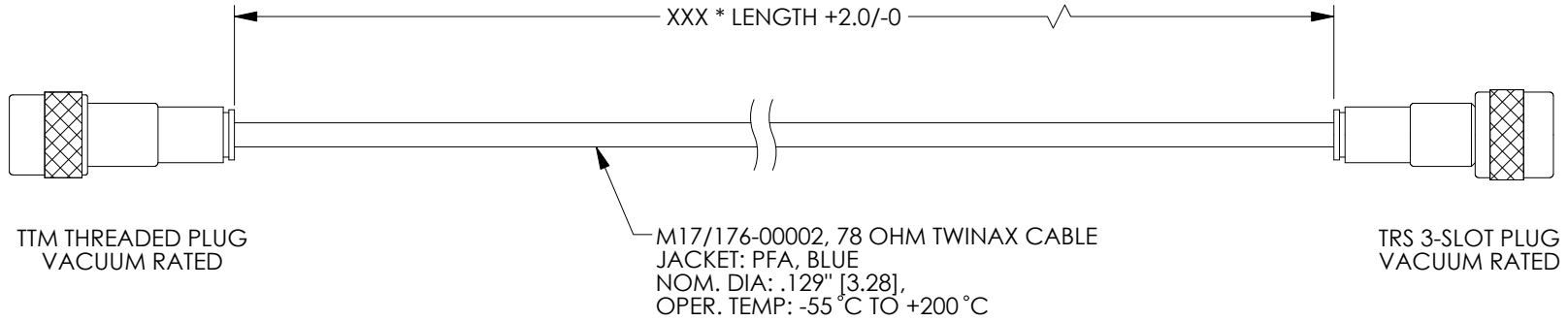


PROPRIETARY NOTICE

This document discloses confidential subject matter in which MilesTek Corporation and its subsidiaries have proprietary rights. Neither receipt nor possession thereof confers or transfers any right to reproduce or disclose the document, any part thereof, any information contained therein, or any physical article or device, or to practice any method or process, except by written permission from, or written agreement with MilesTek Corporation and its subsidiaries.

REV	REVISIONS		
	DESCRIPTION	DATE	APPROVED
A	INITIAL RELEASE	6/19/17	D.FRISIELLO



LENGTH CODE CHART		
CABLE # & LENGTH	LENGTH SYMBOL	EXAMPLES OF PART # USED
MSA00007-XXN	WHERE XXX = LENGTH IN INCHES	MSA-00007-12N (12.0 INCHES)

NOTES:

- *XXX = LENGTH IN INCHES
- CONNECTORS ARE DESIGNED AND MANUFACTURED WITH MATERIALS THAT MEET THE TML (TOTAL MASS LOSS) OR OUT GASSING REQUIREMENTS OF NASA.
- NO LABELS ALLOWED ON THIS CABLE ASSEMBLY.
- CABLE ASSEMBLY SHALL BE TESTED FOR CONTINUITY.

REGULATORY COMPLIANCE:
CE2011/65/EU (RoHS DIRECTIVE)

NON CONTROLLED DRAWING IF PRINTED

AS9100C CERTIFIED			CAD SYSTEM DRAWING - DO NOT REVISE MANUALLY			
UNLESS OTHERWISE SPECIFIED ALL DIMENSIONS ARE IN INCHES			SIGNATURE	DATE	 MILESTEK CORPORATION 1506 INTERSTATE 35 WEST DENTON, TX 76207 PHONE: 866.524.1553 FAX: 940.591.7086	
OVERALL CABLE LENGTH TOLERANCE: ≤12 [305] = +1 [25] / -0 >12 [305] ≤60 [1524] = +2 [51] / -0 >60 [1524] ≤120 [3048] = +4 [102] / -0 >120 [3048] ≤300 [7620] = +6 [152] / -0 >300 [7620] = +5% / -0%			DRAWN BY: D.FRISIELLO	6/14/17		
ALL OTHER DIMENSIONAL TOLERANCES: .X = ±.2 [5.08] .XX = ±.02 [1.51] .XXX = ±.005 [1.3]			CHECKED BY: M.HEARN	6/19/17	DRAWING NUMBER: MSA00007	
DASH			APPROVED ENGINEERING: M.HEARN	6/19/17		
NEXT ASSY			APPROVED MANUFACTURING:	CUSTOMER APPROVAL	SHEET 1 OF 1	
USED ON			CUSTOMER REFERENCE DOCUMENT:	CAGE CODE: 42977		
APPLICATION						