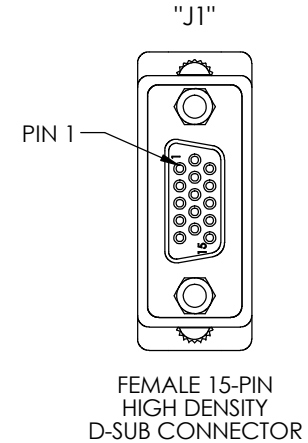
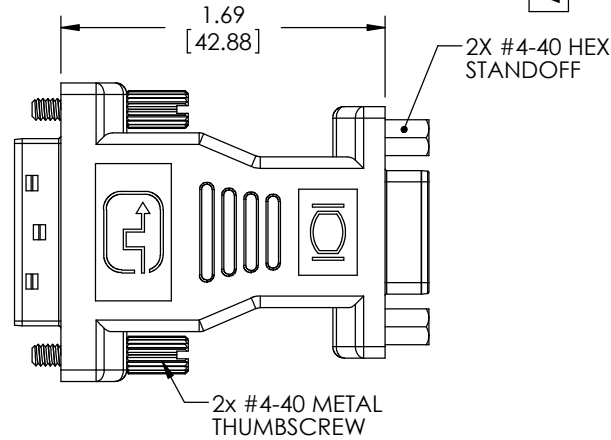
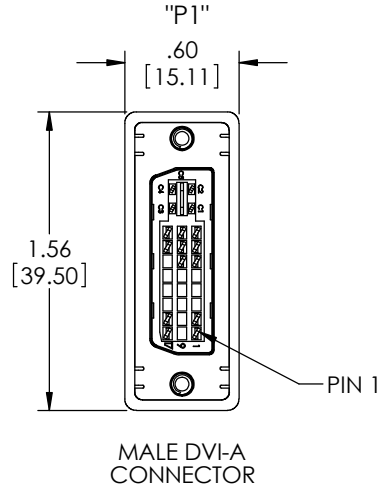


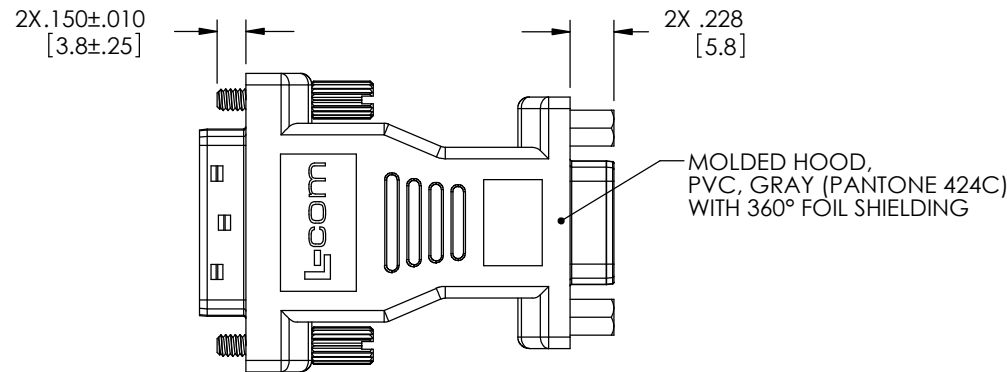
PROPRIETARY NOTICE
 This document discloses confidential subject matter in which MilesTek Corporation and its subsidiaries have proprietary rights. Neither receipt nor possession thereof confers or transfers any right to reproduce or disclose the document, any part thereof, any information contained therein, or any physical article or device, or to practice any method or process, except by written permission from, or written agreement with MilesTek Corporation and its subsidiaries.

REVISONS			
REV	DESCRIPTION	DATE	APPROVED
A	INITIAL RELEASE	06/02/17	B.ZHANG

MDC00001
A



WIRING TABLE	
"P1"	"J1"
C5	6, 7, 8
C4	13
C3	3
C2	2
C1	1
15	5, 10
14, 16	9
8	14
7	12
6	15
SHELL	SHELL



NON CONTROLLED DRAWING IF PRINTED

NOTES:

- ADAPTOR IS SHIPPED WITH DUST COVERS ASSEMBLED (NOT SHOWN).
- ADAPTOR SHALL BE TESTED FOR CONTINUITY.
- ADAPTOR SHALL BE INDIVIDUALLY PACKAGED IN ACCORDANCE WITH SPEC. PS-0054.

REGULATORY COMPLIANCE:
 CE2011/65/EU(RoHS DIRECTIVE)

AS9100C CERTIFIED			CAD SYSTEM DRAWING - DO NOT REVISE MANUALLY			
DASH	NEXT ASSY	USED ON	UNLESS OTHERWISE SPECIFIED ALL DIMENSIONS ARE IN INCHES	SIGNATURE	DATE	 MILESTEK CORPORATION 1506 INTERSTATE 35 WEST DENTON, TX 76207 PHONE: 866.524.1553 FAX: 940.591.7086
			OVERALL CABLE LENGTH TOLERANCE: ≤12 [305] = +1 [25] / -0 >12 [305] ≤60 [1524] = +2 [51] / -0 >60 [1524] ≤120 [3048] = +4 [102] / -0 >120 [3048] ≤300 [7620] = +6 [152] / -0 >300 [7620] = +5% / -0% ALL OTHER DIMENSIONAL TOLERANCES: .X = ±.2 [5.08] .XX = ±.02 [5.1] .XXX = ±.005 [1.3]	DRAWN BY: B.ZHANG 06/02/17 CHECKED BY: Brian G. 06/02/17 APPROVED ENGINEERING: S.PAN 06/02/17 APPROVED MANUFACTURING:	TITLE ADAPTOR DVI-A MALE/HD15 FEMALE	
			CUSTOMER REFERENCE DOCUMENT:	CUSTOMER APPROVAL	CAGE CODE: 42977	SIZE A DRAWING NUMBER: MDC00001
			APPLICATION			SCALE: NTS SHEET 1 OF 1