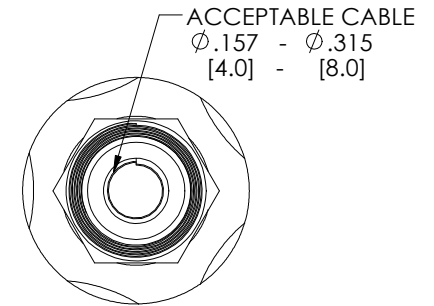
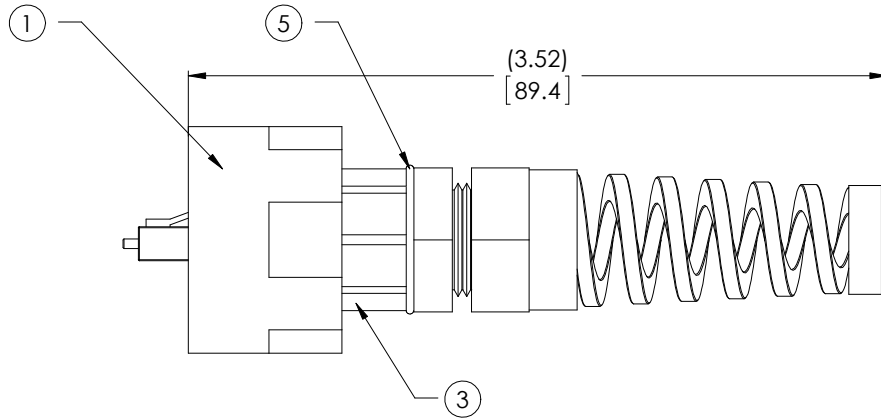
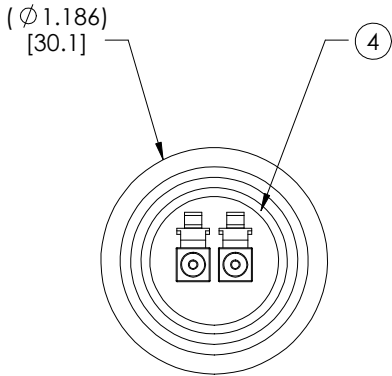
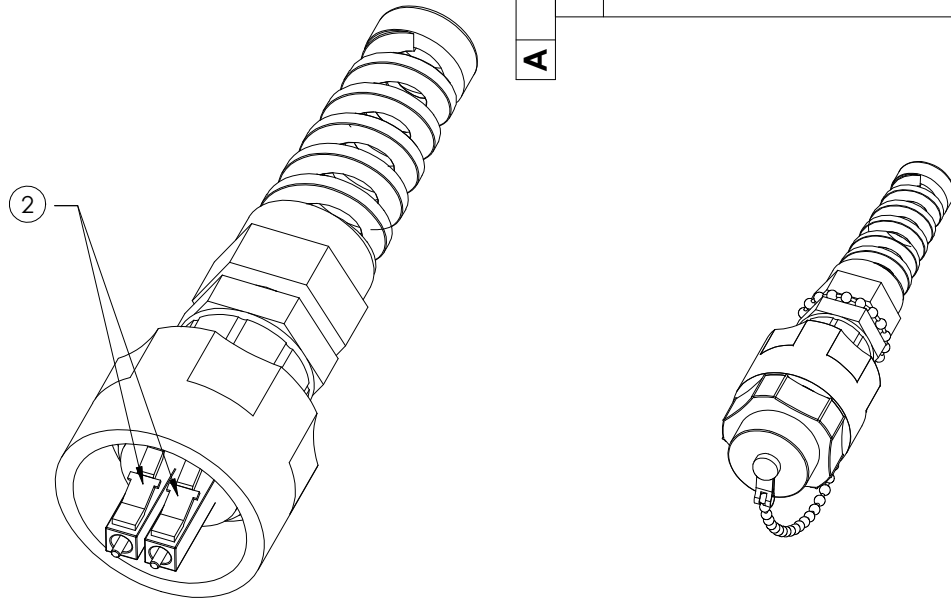


PROPRIETARY NOTICE

This document discloses confidential subject matter in which MilesTek Corporation and its subsidiaries have proprietary rights. Neither receipt nor possession thereof confers or transfers any right to reproduce or disclose the document, any part thereof, any information contained therein, or any physical article or device, or to practice any method or process, except by written permission from, or written agreement with MilesTek Corporation and its subsidiaries.

| REVISIONS | | | |
|-----------|-----------------|----------|----------|
| REV | DESCRIPTION | DATE | APPROVED |
| A | INITIAL RELEASE | 07/19/17 | J.YOU |
| | | | |
| | | | |

| ITEM NO | DESCRIPTION | QTY |
|---------|----------------------|------|
| 1 | COLLAR NUT | 1 |
| 2 | LC CONNECTOR | 2 |
| 3 | LC CONNECYOR HOUSING | 1 |
| 4 | COMPRESSION SEAL | 1 |
| 5 | O-RING | 1 |
| - | POLY BAG | 1 |
| - | CARTON | 1/20 |
| - | INSTRUCTION | 1/20 |



NOTES:

1. MATERIAL: COLLAR NUT, CONNECTOR HOUSING - GLASS FILLED PBT.
2. FOR MORE INFORMATION, CONTACT A SIEMON CUSTOMER SERVICE REPRESENTATIVE.
3. LC PLUG ACCEPTS MULTIMODE, ROUND BREAK OUT STYLE FIBER.
4. FIBER OPTICS TO BE INDIVIDUALLY PACKAGED IN ACCORDANCE WITH SPEC. PS-0054.

REGULATORY COMPLIANCE:
CE2011/65/EU(RoHS DIRECTIVE)

NON CONTROLLED DRAWING IF PRINTED

| AS9100C CERTIFIED | | | CAD SYSTEM DRAWING - DO NOT REVISE MANUALLY | | | |
|--|-----------|---------|---|-------------------|---|--|
| UNLESS OTHERWISE SPECIFIED ALL DIMENSIONS ARE IN INCHES | | | SIGNATURE | DATE | MilesTek | |
| OVERALL CABLE LENGTH TOLERANCE: ≤12 [305] = +1 [25] / -0 >12 [305] ≤60 [1524] = +2 [51] / -0 >60 [1524] ≤120 [3048] = +4 [102] / -0 >120 [3048] ≤300 [7620] = +6 [152] / -0 >300 [7620] = +5% / -0% | | | DRAWN BY: J.YOU | 07/19/17 | MILESTEK CORPORATION 1506 INTERSTATE 35 WEST DENTON, TX 76207 PHONE: 866.524.1553 FAX: 940.591.7086 | |
| ALL OTHER DIMENSIONAL TOLERANCES: .X = ±.2 [5.08] .XX = ±.02 [5.1] .XXX = ±.005 [1.3] | | | CHECKED BY: D.GUITADAURO | 07/19/17 | TITLE INDUSTRIAL DUPLEX LC CONNECTOR | |
| CUSTOMER REFERENCE DOCUMENT: | | | APPROVED ENGINEERING: S.PAN | 07/19/17 | DRAWING NUMBER: FYB00007 | |
| DASH | NEXT ASSY | USED ON | APPROVED MANUFACTURING: | CUSTOMER APPROVAL | SCALE: NTS | |
| APPLICATION | | | CAGE CODE: 42977 | SHEET 1 OF 1 | | |