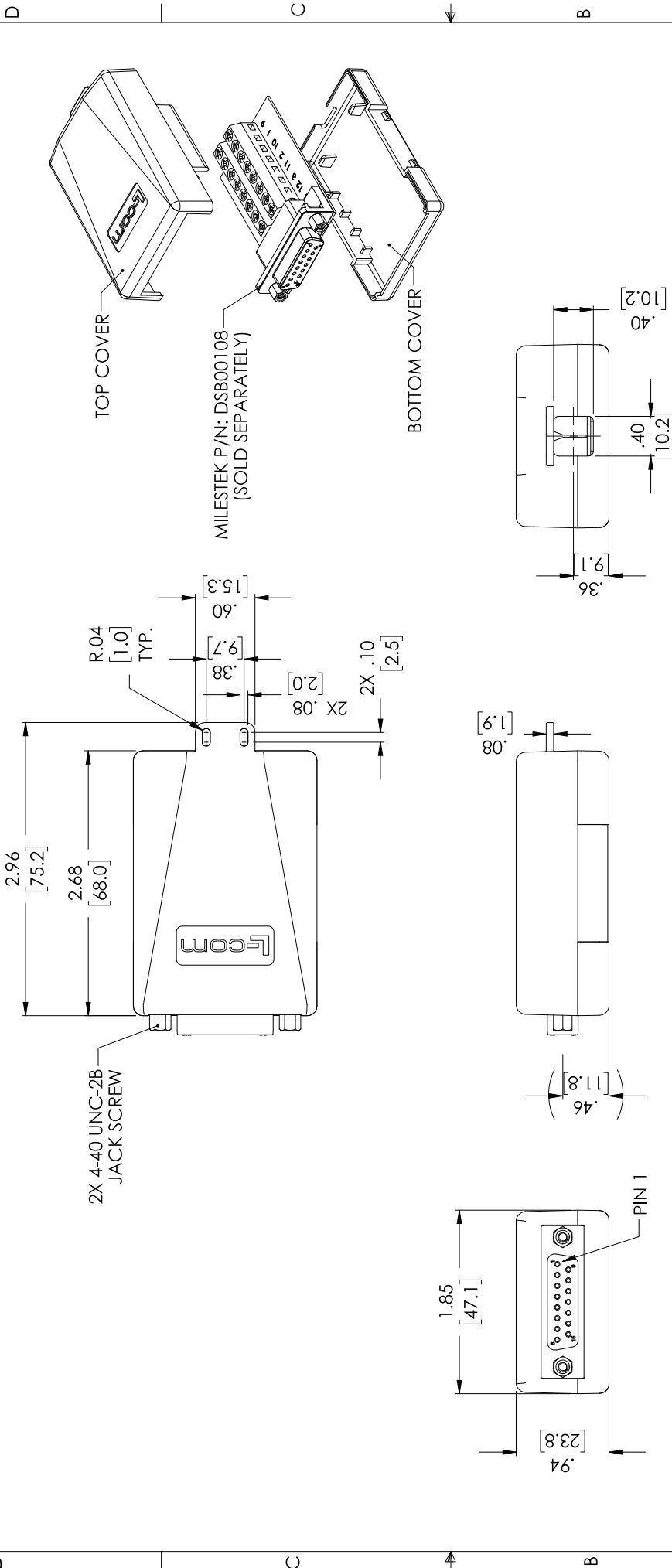


PROPRIETARY NOTICE

This document discloses confidential subject matter in which MilesTek Corporation and its subsidiaries have proprietary rights. Neither receipt nor possession thereof confers or transfers any right to reproduce or disclose the contents of any physical article or device, or to practice any method or process, except by written permission from, or written agreement with MilesTek Corporation and its subsidiaries.

REV	DESCRIPTION	DATE	APPROVED
A	REV A DRAWING RELEASED	12/21/2018	BPUCHASKI



NOTES:

1. MATERIAL: ABS, BLACK, UL94V-0
2. WORKS WITH DB15 FEMALE CONNECTOR FOR FIELD TERMINATION MILESTEK P/N: DSB00108 (SOLD SEPARATELY).
3. TIE WRAP FOR CABLE INCLUDED.
4. COVER SHALL BE INDIVIDUALLY PACKAGED UNASSEMBLED IN ACCORDANCE WITH MILESTEK SPECIFICATION PS-0054.

MilesTek		MILESTEK CORPORATION 301 DENVALE DRIVE, SUITE 100 DENVER, COLORADO 80202 PHONE: (940) 484-9400 FAX: (940) 564-1047	
DRAWN BY: BPUCHASKI	SIGNATURE	DATE 12/13/2018	TITLE COVER FOR DSB00108 FIELD TERMINATION CONNECTOR
CHECKED BY: DPRIBELLO	SIGNATURE	DATE 12/17/2018	
APPROVED BY: BGATES	SIGNATURE	DATE 12/14/2018	
CONFIGURATION DETAILS OF UNDIMENSIONED FEATURES MAY VARY		CAGE CODE: 4Z977	REV. A
CUSTOMER REFERENCE DOCUMENT:		SCALE: NTS	SHEET 1 OF 1