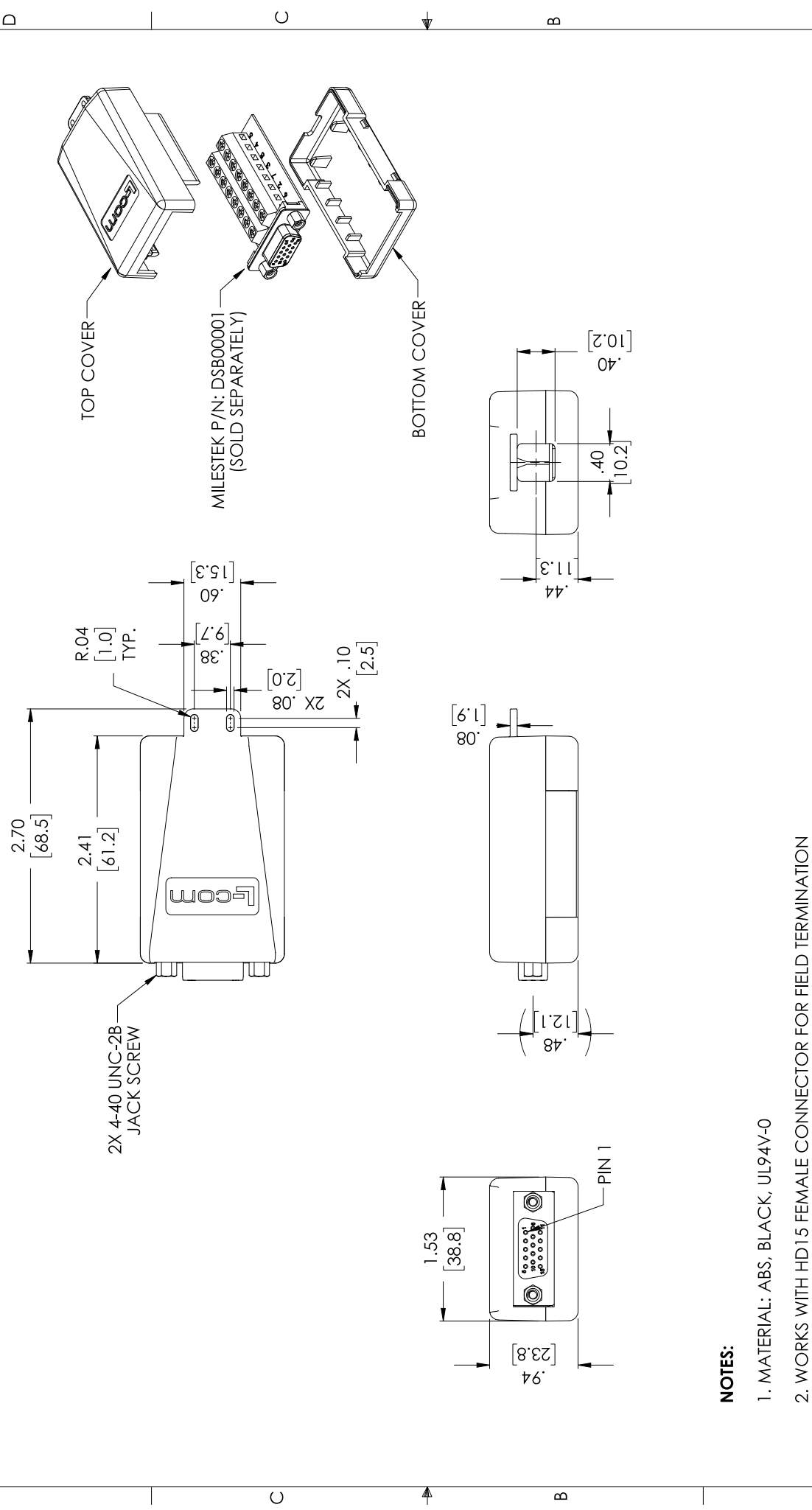


PROPRIETARY NOTICE
 This document discloses confidential subject matter in which MilesTek Corporation and its subsidiaries have proprietary rights. Neither receipt nor possession thereof confers or transfers any right to reproduce or disclose the content of any physical article or device, or to practice any method or process, except by written permission from, or written agreement with MilesTek Corporation and its subsidiaries.

REV	DESCRIPTION	DATE	APPROVED
A	REV A DRAWING RELEASED	12/20/2018	BPUCHASKI



UNLESS OTHERWISE SPECIFIED ALL DIMENSIONS ARE IN INCHES		SIGNATURE	DATE
OVERALL CABLE LENGTH TOLERANCE: >10 [254] ≤ 10 [254] / $\pm .01$ [0.254] >100 [2540] ≤ 100 [2540] / $\pm .01$ [0.254] >120 [3048] ≤ 120 [3048] / $\pm .01$ [0.254] >500 [12700] ≤ 500 [12700] / $\pm .01$ [0.254]		DRAWN BY: BPUCHASKI	12/10/2018
ALL OTHER DIMENSIONAL TOLERANCES: .XX = $\pm .005$ [0.127] .XXX = $\pm .002$ [0.051]		CHECKED BY: DFRIBELLO	12/17/2018
CONFIGURATION DETAILS OF UNDIMENSIONED FEATURES MAY VARY		APPROVED BY: BGATES	12/14/2018
CUSTOMER REFERENCE DOCUMENT:		TITLE	
CAGE CODE: 4Z977		COVER FOR SVGA HD15 FEMALE TERMINATION CONNECTOR	
SCALE: INTS		REV.	
A		DSB00002	
SHEET 1 OF 1		A	

NOTES:

1. MATERIAL: ABS, BLACK, UL94V-0
2. WORKS WITH HD15 FEMALE CONNECTOR FOR FIELD TERMINATION MILESTEK P/N: DSB00001 (SOLD SEPARATELY).
3. TIE WRAP FOR CABLE INCLUDED.
4. COVER SHALL BE INDIVIDUALLY PACKAGED UNASSEMBLED IN ACCORDANCE WITH MILESTEK SPECIFICATION PS-0054.