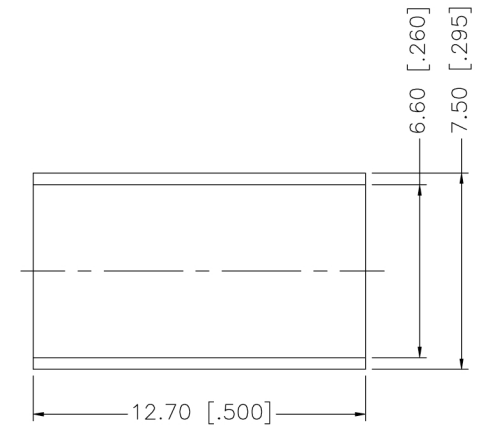
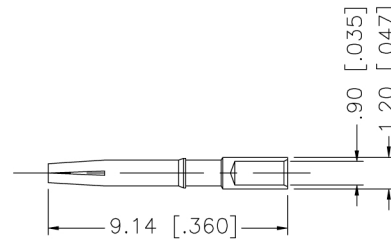
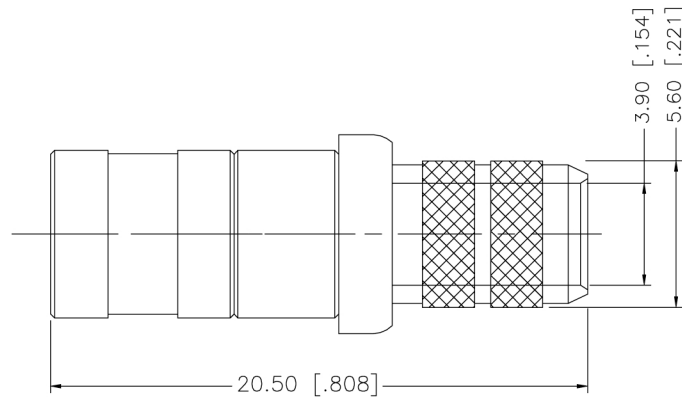


RECOMMENDED
CABLE STRIPPING DIM'S



| | | | |
|---|-------------|----------|---------|
| 8 | | | |
| 7 | | | |
| 6 | | | |
| 5 | | | |
| 4 | | | |
| 3 | INSULATOR | TEFLON | NATURAL |
| 2 | CONTACT PIN | BRASS | GOLD |
| 1 | BODY | BRASS | GOLD |
| | DESCRIPTION | MATERIAL | FINISH |

UNLESS OTHERWISE SPECIFIED
TOLERANCES FOR MILLIMETERS ARE:
0.5 - 8mm ± 0.20mm
8 - 30mm ± 0.40mm
30 - 120mm ± 0.50mm

UNLESS OTHERWISE SPECIFIED
TOLERANCES FOR INCHES ARE:
.020 - .315 = ± 0.007"
.315 - 1.180 = ± 0.015"
1.180 - 4.724 = ± 0.020"

DRAWING NUMBER:
11-MSMB002.PDF

| | |
|-------------------------|------------|
| SIGNATURE | DATE |
| DRAWN BY: M. GREENHILL | 10/01/2010 |
| CHECKED BY: | |
| APPROVED ENGINEERING: | |
| APPROVED MANUFACTURING: | |
| CAGE CODE: 4Z977 | |

MilesTek

MILESTEK CORPORATION
1506 INTERSTATE 35 WEST
DENTON, TX 76207
PHONE: 866.524.1553
FAX: 940.591.7086

PART DISCIPTION:
MINI 75 OHM SMB PLUG CRIMP RG59 & RG62

SIZE **D** PART NUMBER:
11-MSMB002

REV.-A DO NOT SCALE DRAWING SHEET 1 OF 1