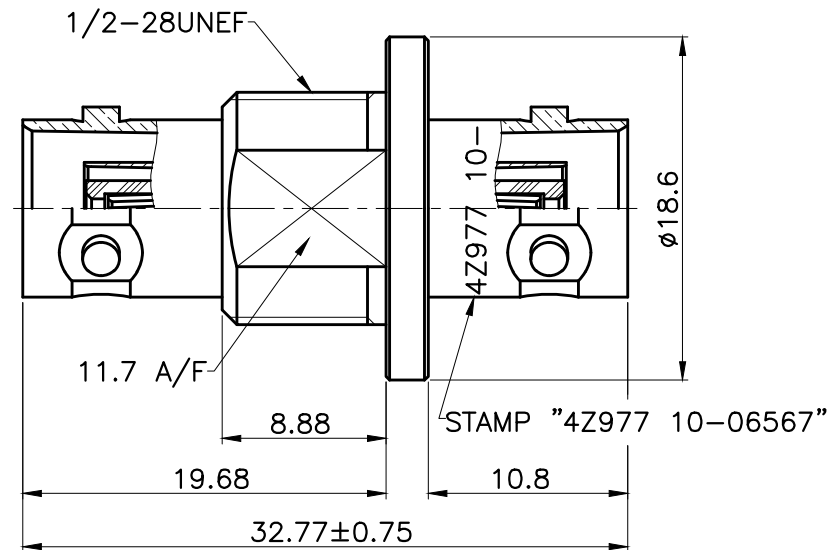
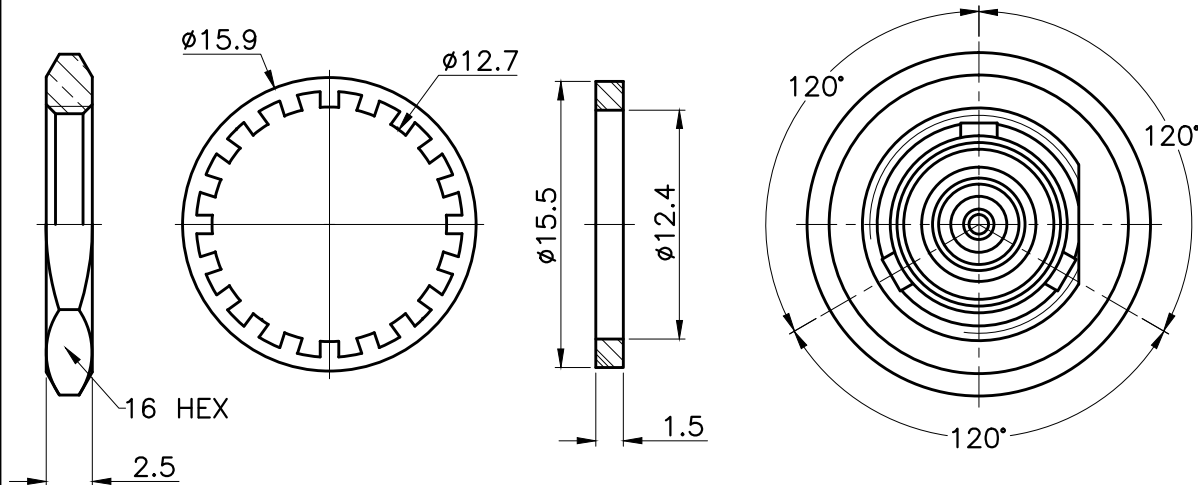
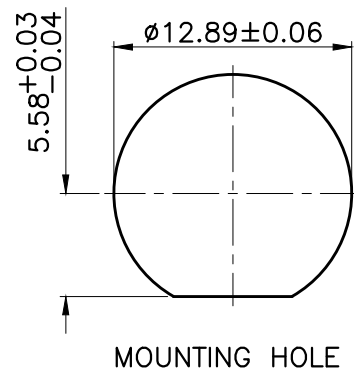


REVISIONS	
ISS	DESCRIPTION\DATE
A1	修訂電鍍厚度說明\08/27/12"

RoHS COMPLIANT



1. MAX. PANEL THICKNESS=4.7mm



NOTES: FINISH (PLATING THICKNESS IN MICRO-INCHES)

1. BRASS PER QQ-B-626
2. NICKEL PL 70~200 THICK OVER COPPER PL 60~160 THICK
3. GOLD PL 3~10 THICK OVER NICKEL PL 70~200 THICK OVER COPPER PL 60~160 THICK
4. GOLD PL 30~40 THICK OVER NICKEL PL 70~200 THICK OVER COPPER PL 60~160 THICK
5. BERYLLIUM COPPER PER QQ-C-530
6. BRASS JIS H 3100, C 2680

**MilesTek** MilesTek Corporation  
1506 Interstate 35 West  
Denton, Tx 76207

Telephone: 940.484.9400 . Toll Free: 866.524.1553  
Fax: 940.591.7086 . Web: www.milestek1553.com

TITLE: TRB BULKHEAD JACK TO JACK  
ADAPTOR

APRD: MARK HEARN

CHKD: ROBERT PEREZ

DR:

UNLESS OTHERWISE  
SPECIFIED TOLERANCES  
0.5-6 = ±0.2  
>6-30 = ±0.4  
>30-120 = ±0.6  
>120-315 = ±1  
>315-1000 = ±1.6  
ANGLES = ±5°

DATE: 08/27/12" UNIT: mm

SHEET: . SCALE: 2.5/1

PART NO: 10-06567

CAGE CODE: 4Z977

DRAWING NO: 67153-A1

NO.	DESCRIPTION	MATERIAL	FINISH
	NUT	NOTE 1	NOTE 2
	WASHER	NOTE 6	NOTE 2
	GASKET	SILICONE	RED
	LOCK RING	NOTE 1	NOTE 3
	CONTACT PIN	NOTE 5	NOTE 4
	INSULATOR	PTFE	WHITE
	CONTACT BODY	NOTE 1	NOTE 3
	LOCK RUNG	NOTE 1	NOTE 2
	INSULATOR	PTFE	WHITE
	BODY	NOTE 1	NOTE 2

AS9100 certified