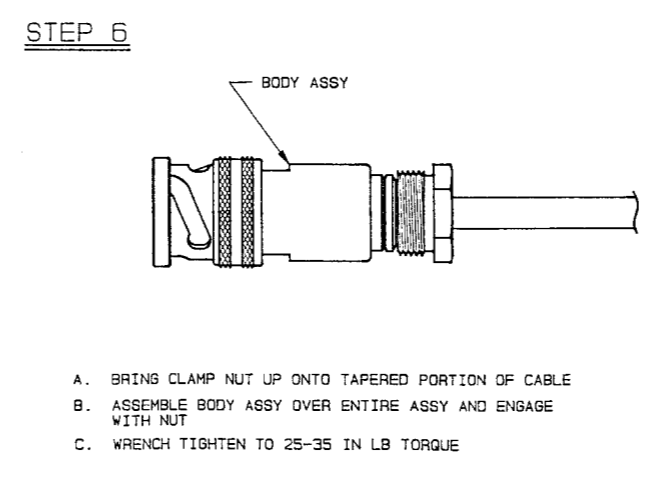
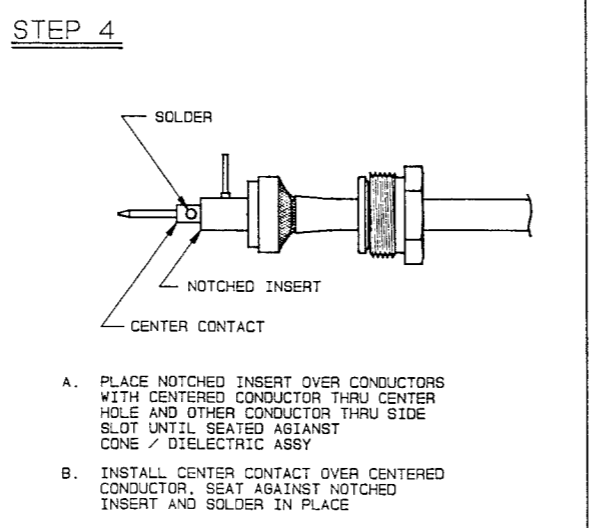
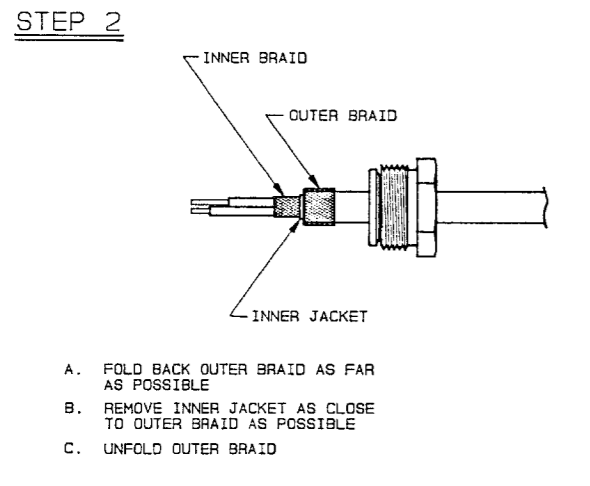
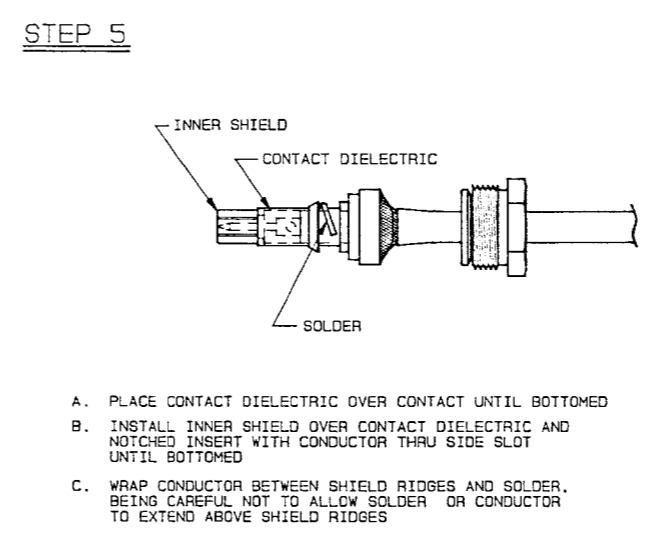
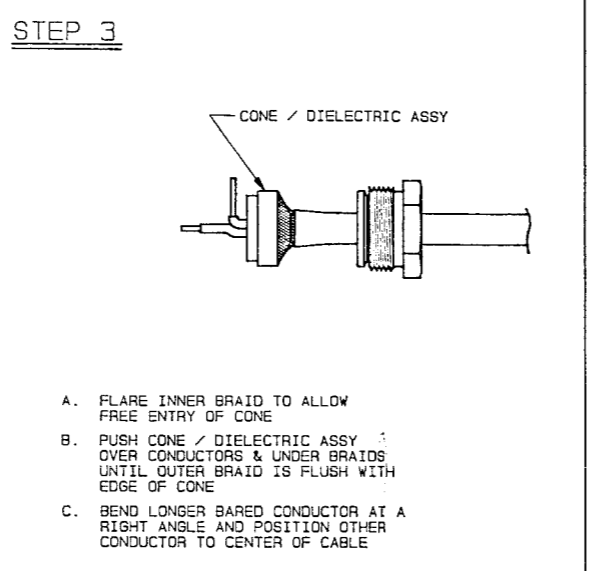
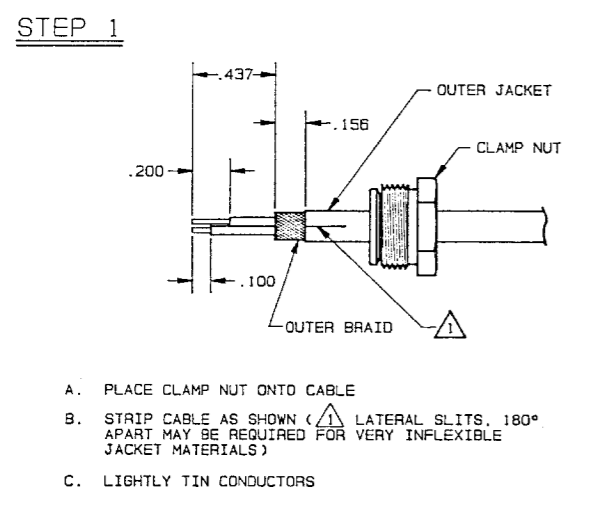
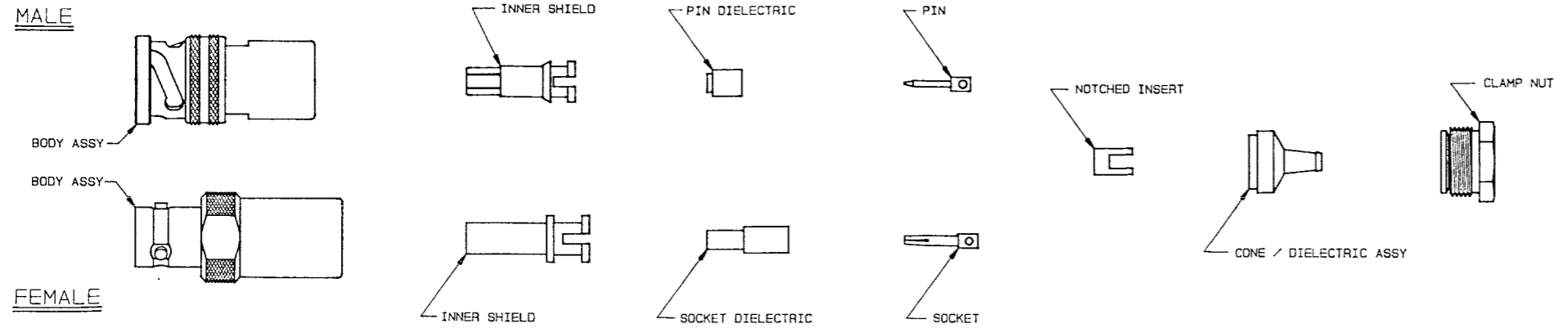


RED INDICATES ORIGINAL

DATA CONTAINED IN THIS DOCUMENT IS PROPRIETARY TO TROMPETER ELECTRONICS, INC. AND SHALL NOT BE DISCLOSED, COPIED OR USED FOR REPRODUCTION OR MANUFACTURE WITHOUT EXPRESS WRITTEN PERMISSION.		REVISIONS		TAI-155	SH
REV	EO	DESCRIPTION	OWN	APPROVED	DATE



ASSEMBLY INSTRUCTIONS
 "WRENCH CRIMP" 70 SERIES
 CONCENTRIC TWINAX CONNECTORS
 TO
 QUADRAx CABLE

TROMPETER ELECTRONICS, INC.
 31186 LA BAYA DR. WESTLAKE VILLAGE, CA 91362-4047
 (818) 707-2020 TWX: 910-494-1210
 FAX: 818-706-1040
 MFG. CODE NO. 14949
 TAI-155

ASSEMBLY INSTRUCTIONS
 "WRENCH CRIMP" 70 SERIES TO QUADRAx CABLE
 (SEE REVERSE)

- PRODUCTS**
- PATCH PANELS, PATCH CORDS, JACKS, LOOPING PLUGS
 - POWER DIVIDERS, RF CONNECTORS
 - TWINAX, TRIAX, QUADRAx COMPONENTS
 - SYSTEMS
- APPLICATIONS**
- COMPUTERS-TV BROADCAST-CATV-CCTV-ETV
 - COMMUNICATIONS-TELEPHONE-TELETRIP
 - AIRCRAFT-NUCLEAR AND INDUSTRIAL
 - INSTRUMENTATION
 - PROCESS CONTROLS-SECURITY EQUIPMENT
 - AUTOMATIC TESTING-INFORMATION RETRIEVAL
 - MICROWAVE DATA TRANSMISSION

QTY	DESCRIPTION	PART NUMBER	ITEM
TOL UNLESS SPECIFIED .XX ± .XXX ± .XXXX ± ANGLES ±	TROMPETER ELECTRONICS, INC.	"70" SERIES TO QUADRAx CABLE	
DWN DKC 1-11-89	MATERIAL	CODE IDENT	DRAWING NO.
CHK [Signature] 2/13/89		14949	TAI-155
ENGR [Signature] 2/13/89	SCALE	DATE	SHEET
NEXT ASSY	APPR [Signature] 2/13/89		