

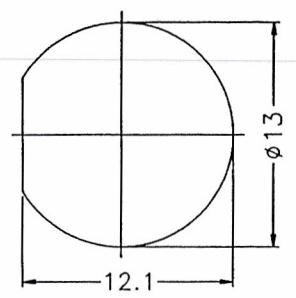
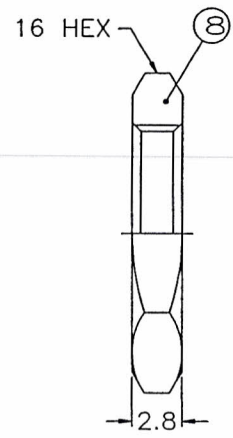
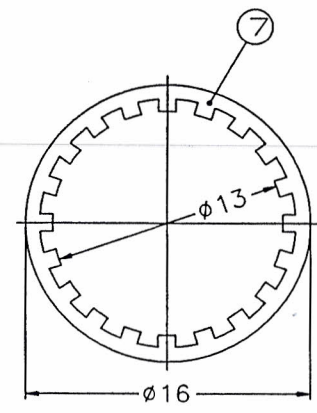
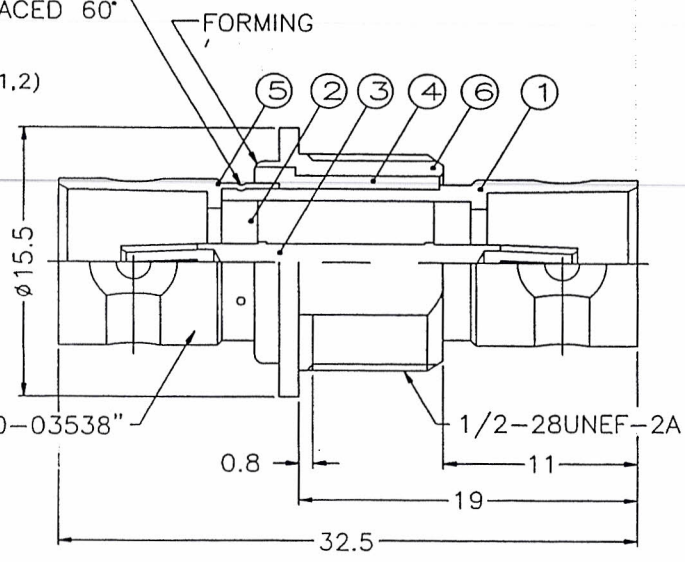
1 2 3 4 5 6 7 8

REVISIONS			
ISS	ZONE	DESCRIPTION\PER REQUEST\DATE	
C	A-1	NO.1 WAS CHANGED\RD-DM89062301C\06-23-00'	
D	A-1	NO.6 WAS CHANGED\RD-DM89091301C\09-13-00'	
		NO.4 WAS CHANGED\RD-DM89100201Y\10-02-00'	
E	A-1	NO.1 WAS CHANGED\RD-DM89121901C\12-19-00'	
	C-2	DELETED "ROLLING"\RD-DM89121901C\12-19-00'	

REMARK:1. AMONG NO.1, NO.5 AND NO.6 MUST WITHSTAND 15 IN-LBS TORQUE AFTER STAKING OPERATION  
 2. REMARK 1 IS MAINTAINED BY STAKING SHOWN ON THE DRAWING WITHOUT PUNCTURING NO.5

F  
E  
D  
C  
B  
A

STAKE IN 6 PLACES  
EQUALLY SPACED 60°  
APART  
(SEE REMARK 1,2)



RECOMMENDED MOUNTING HOLE

- NOTES: FINISH (PLATING THICKNESS IN MICRO-INCHES)
- BRASS PER QQ-B-626
  - BRASS PER QQ-B-613
  - NICKEL PL. 100 MIN. THICK OVER COPPER STRIKE
  - PHOSPHOR BRONZE PER QQ-B-750
  - GOLD PL. 30 MIN. THICK OVER NICKEL PL. 100 MIN. THICK OVER COPPER STRIKE
  - TEFLON MIL-P-19468

MILESTEK

NO.	DESCRIPTION	MATERIAL	FINISH	Q'TY	DRAWING NO.	SCALE	2.5/1	ISSUE	E
8	HEX NUT	NOTE 1	NOTE 3	1	HN16-1/2-28X28	DIMENSIONS ARE IN MILLIMETERS			
7	LOCK WASHER	NOTE 2	NOTE 3	1	LW-16/13X05	UNLESS OTHERWISE SPECIFIED TOLERANCES			
6	HOUSING	NOTE 1	NOTE 3	1	10-03538-6-B	0.5-6 = ±0.2			
5	BODY	NOTE 1	NOTE 3	1	B7925-5	6-30 = ±0.4			
4	INSULATOR	DELFIN	NATURAL	1	B7925-4-B	30-120 = ±0.6			
3	CONTACT PIN	NOTE 4	NOTE 5	1	B7771B4-3	120-315 = ±1			
2	INSULATOR	NOTE 6	NATURAL	2	B7771B4-2T-75	315-1000 = ±1.6			
1	BODY	NOTE 1	NOTE 3	1	B7925-1-D	1000-2000 = ±2.4			
PART NO. 10-03538						APPROVED		DATE	12-19-00'
TITLE BNC FEMALE TO FEMALE BULKHEAD ISOLATED ADAPTOR						CHECKED		DATE	12-19-00'
DRAWING NO. 10-03538						DRAWN		DATE	12-19-00'
FILE NO. F:\DWG\MILESTEK\10\03538\NT30G									

1 2 3 4 5 6 7 8