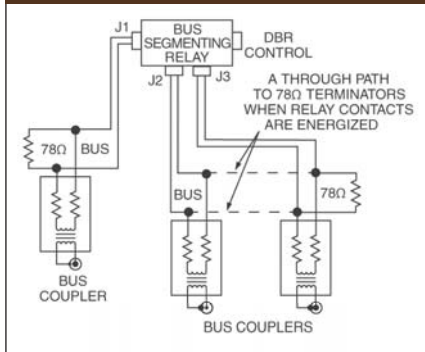
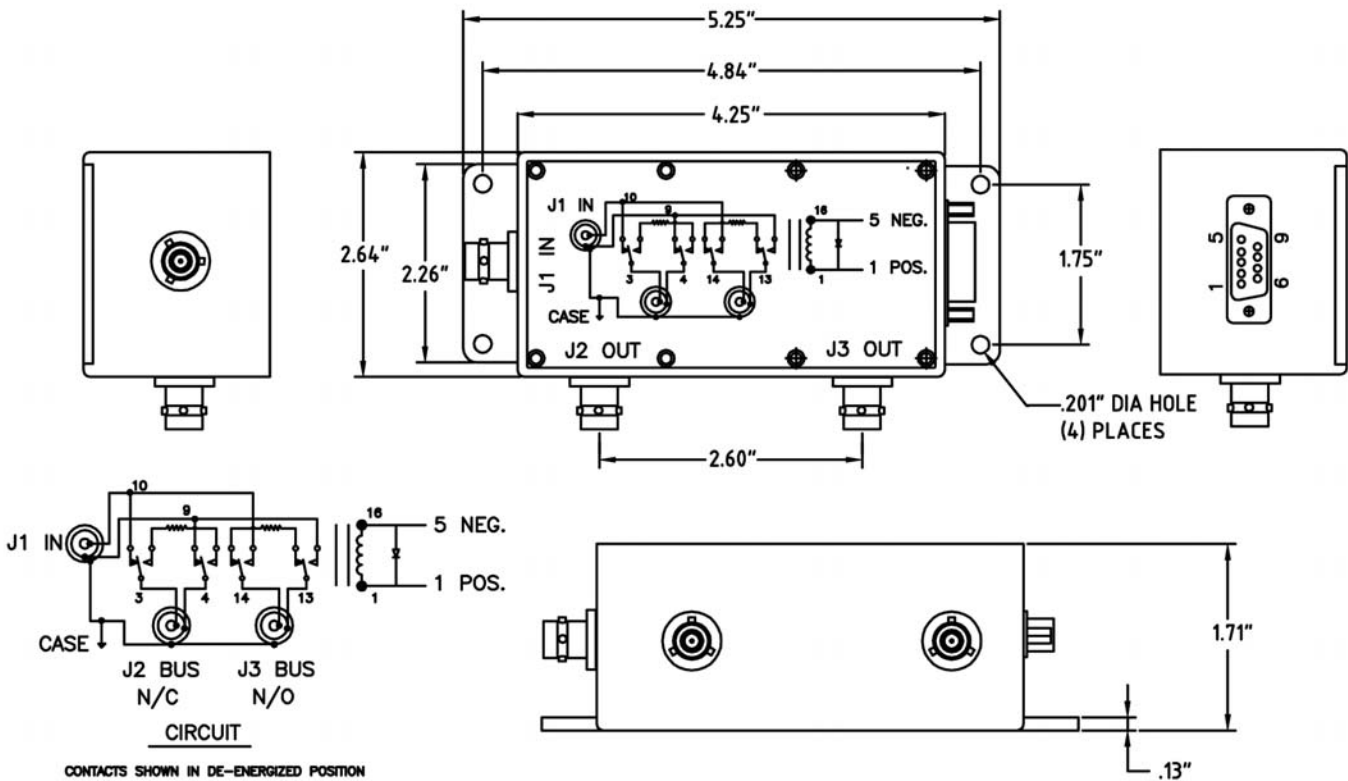


APPLICATION NOTE



BUS SEGMENTING RELAYS

PART NUMBER	DESCRIPTION
90 50274	Bus Segmenting by Control Voltage 28 VDC
90 50275	Bus Segmenting by Control Voltage 5 VDC



1.0 ELECTRICAL RELAY SPECIFICATIONS:

1.1 NOMINAL VOLTAGE	AS NOTED ABOVE
1.2 NOMINAL OPERATION CURRENT	7.5 mA (+/- 10%)
1.3 COIL RESISTANCE—Ohm	3,200 (+/- 10%)
1.4 NOMINAL UNIT WEIGHT	10.1 OUNCES (286 GRAMS)

2.0 MECHANICAL SPECIFICATIONS:

- HOUSING: DIE CAST A380 ALUMINUM ALLOY. CLEAR ANODIZED AND PAINTED WITH TEXTURE. BAKED ENAMEL, COLOR BLUE.
- COVER PLATE: 5052-H32 ALUMINUM, SATIN FINISH.
- CONNECTOR 10-06592 OR EQUIVALENT

3.0 ENVIRONMENTAL:

- OPERATING TEMPERATURE -40 C TO + 70 C

MilestTek®

MILESTEK CORPORATION
1506 INTERSTATE 35 WEST
DENTON, TX 76207
PHONE: 866.524.1553
FAX: 940.591.7086

PLEASE VISIT www.milestek1553.com FOR ADDITIONAL INFORMATION

DRAWN BY: MIKE GREENHILL	APPROVED BY: ROBERT PEREZ	DATE 08/07/09
TITLE: RELAYS	CAGE CODE: 42977	
DRAWING NO: 95274275	ISO 9001: 2008 CERTIFIED	REV: A
SCALE: NOT TO SCALE	TOLERANCE: <.1+/1 .01/>.1+/- .1	SHEET: 1 OF 1

For Expert Customer Service,
Call Our Sales Team Today!

Order at milestek.com or call 866-524-1553
Email: militarysales@milestek.com Fax: 940-591-7086

MilestTek®